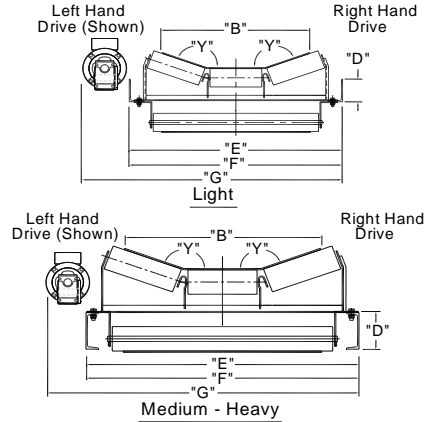
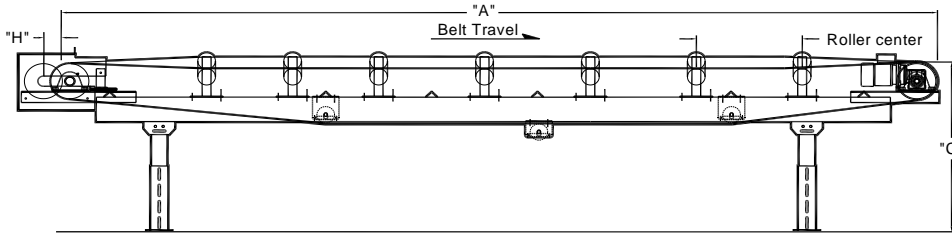


14W Light - 16W Medium - 18W Heavy Duty



POWER-PACK® Standard Conveyors - built the way you want them...

Field Info Required	Data	Field Info Required	Data
A. Conveyor Length O.A.		Total Load On Conveyor	
B. Belt Width		Belt Speed In Fpm	
C. Height T.O.B.(Top of Belt)		Power: Volts, Phase, Hz	
Y. Troughing Angle degrees			
Product Being Carried:			
Adverse Condition If Any:			
Power-Pack will size for application			

Dimensions		Belt Width +	Light	Medium	Heavy
D. Body Height			5"	6"	8"
E. Body Width O. A.		Belt +	13"	13"	13"
F. Tail End Width O. A.		Belt +	13"	13"	13"
G. Drive End Width O. A.		Belt +	22"	22"	22"
H. Belt Tension Take-Up Adjustment			5"	12"	18"
Drive & Tail Pulley : Crowned			8"	12"	16"

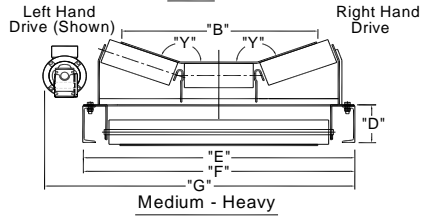
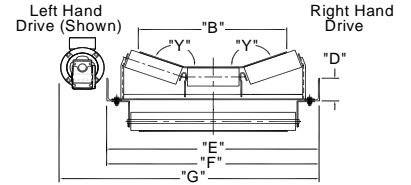
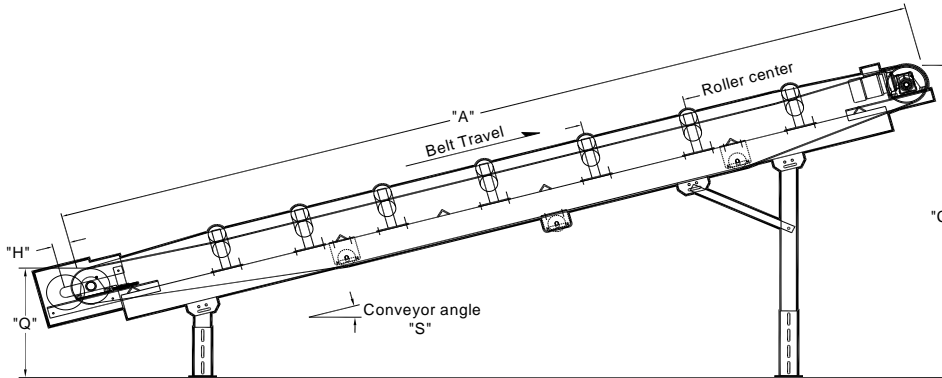
Standard Features			
Body Construction : Structural Channel		Bed Type : Troughing Idler	
Belt Type : MOR (Rubber)		Belt Lacers: Clipper Lacer	
Motor-Reducer Style : TEFC-Shaft Mounted		Return Idlers: Greased Packed Bearings	
Motor Location : Left Side		Leg Support: Tri-Lock H style	
Bearings : Greased Sealed, Self Aligning		Roller Center : 24" on center spacing	
See options section for additional features			

Power-Pack® Conveyor Company
 38363 Airport Parkway • Willoughby, OH 44094
 Phone: (440) 975-9955 • Fax: (440) 975-0505
 Website: www.power-packconveyor.com
 Email: ppcc@power-packconveyor.com



Safety Features: Patented Concealed Bearings,
 Patented Concealed Drive & Tail Rolls,
 Patented Boltless, Bearing Slide Mounts

IE6W Medium - IE8W Heavy Duty



POWER-PACK® Standard Conveyors - built the way you want them...

Field Info Required	Data	Field Info Required	Data
A. Conveyor Length O. A.		Total Load On Conveyor	
B. Belt Width		Belt Speed In Fpm	
C. Height T. O. B. (Top of Belt)		Power: Volts, Phase, Hz	
Q. Load Height (Top Of Trough)	S.	Incline Angle	
Y. Troughing Angle degrees			
Product Being Carried:			
Adverse Condition If Any:			
Power-Pack will size for application			

Dimensions	Belt Width +	Light	Medium	Heavy
D. Body Height		5"	6"	8"
E. Body Width O. A.	Belt +	13"	13"	13"
F. Tail End Width O. A.	Belt +	13"	13"	13"
G. Drive End Width O. A.	Belt +	22"	22"	22"
H. Belt Tension Take-Up Adjustment		5"	12"	18"
Drive & Tail Pulley: Crowned		8"	12"	16"

Standard Features			
Body Construction: Structural Channel		Bed Type: Troughing Idler	
Belt Type: PVC		Belt Lacers: Clipper Lacer	
Motor-Reducer Style: TEFC-Shaft Mounted		Return Idlers: Greased Packed Bearings	
Motor Location: Left Side		Leg Support: Tri-Lock H style	
Bearings: Greased Sealed, Self Aligning		Roller Center: 24" on center spacing	
See options section for additional features			

Power-Pack® Conveyor Company
 38363 Airport Parkway • Willoughby, OH 44094
 Phone: (440) 975-9955 • Fax: (440) 975-0505
 Website: www.power-packconveyor.com
 Email: ppcc@power-packconveyor.com



Safety Features: Patented Concealed Bearings,
 Patented Concealed Drive & Tail Rolls,
 Patented Boltless, Bearing Slide Mounts