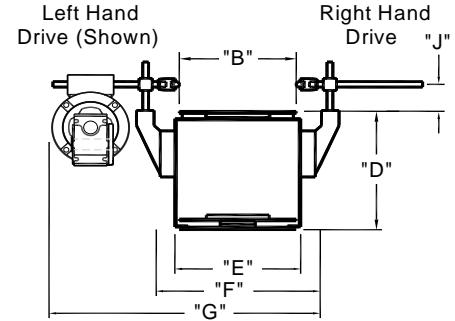
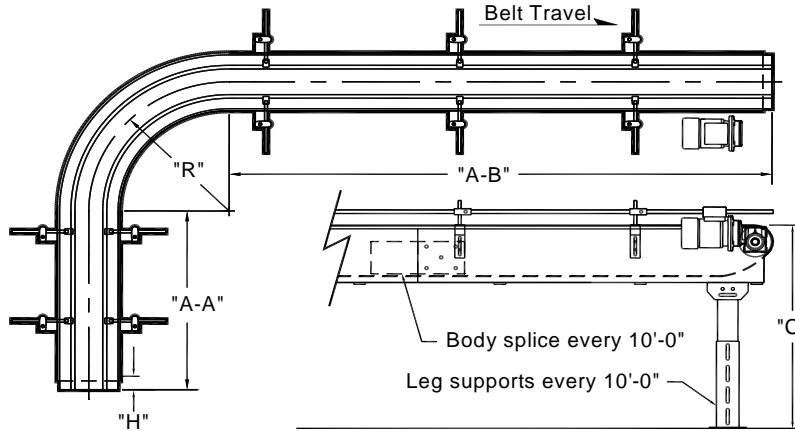




POWER-PACK®
CONVEYOR COMPANY
Automating Industry, since 1929

Table Top 90 deg. Horizontal Belt Curve Conveyors

DC4W Light - DC6W Medium - DC8W Heavy Duty



POWER-PACK® Standard Conveyors - built the way you want them...

| | Field Info Required | Data | | Field Info Required | Data |
|---|---------------------------------------|------|------|-------------------------------------|------|
| A-A. | Conveyor Length: Start Section | | A-B. | Conveyor Length: End Section | |
| B. | Belt Width | | | Total Load On Conveyor | |
| C. | Height T. O. B. (Top of Belt) | | | Belt Speed In Fpm | |
| R. | Curve Radius | | | Power: Volts, Phase, Hz | |
| | Product Being Carried : | | | | |
| | Adverse Condition If Any : | | | | |
| Power-Pack will size for application | | | | | |

| | Dimensions | Belt Width + | Medium |
|----|-------------------------------------|--------------|---------|
| D. | Body Height | | 11" |
| E. | Body Width O. A. | Belt + | 1.75" |
| F. | Tail End Width O. A. | Belt + | 2.125" |
| G. | Drive End Width O. A. | Belt + | 11.125" |
| H. | Belt Tension Take Up Adjustment | | 5" |
| | Drive & Tail Pulley: Crowned | | 6.625" |

| Standard Features | | | |
|--|--------------------------------------|-----------------|--------------------------------|
| Body Construction : | Mild Steel | Bed : | Slider UHMWP Rails |
| Belt Type : | LF Thermoplastic | Belt Lacers : | Pin |
| Motor-Reducer Style : | TEFC-Shaft Mounted | Return Idlers : | Greased Packed Bearings |
| Motor Location : | Left Side | Leg Support : | Tri-Lock H style |
| Bearings : | Greased Sealed, Self Aligning | | |
| J. Sides : | Adjustable UHMWP Value Guide | | |
| See options section for additional features | | | |

Power-Pack® Conveyor Company

38363 Airport Parkway • Willoughby, OH 44094

Phone: (440) 975-9955 • Fax: (440) 975-0505

Website: www.power-packconveyor.com

Email: ppcc@power-packconveyor.com



| |
|--|
| Safety Features: Patented Concealed Bearings, |
| Patented Concealed Drive & Tail Rolls, |
| Patented Boltless, Bearing Slide Mounts |

