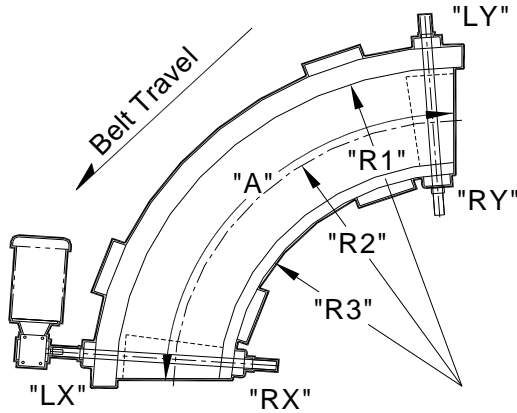


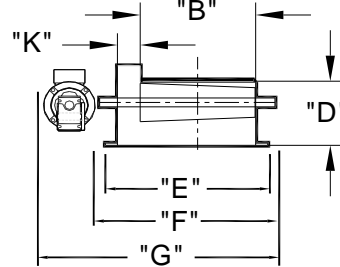


C Standard Duty



Left Hand Drive (Shown)

Right Hand Drive



POWER-PACK® Standard Conveyors - built the way you want them...

Field Info Required		Data	Field Info Required		Data
A.	Conveyor Arc degrees		Total Load	On Conveyor	
B.	Belt Width		Belt Speed	In Fpm	
K.	Side Width		Power:	Volts, Phase, Hz	
R1	Outside Radius inches		R2	Center Line Radius inches	
R3	Inside Radius inches				
Product Being Carried:					
Adverse Condition If Any:					
Power-Pack will size for application					

Dimensions		Belt Width +	Standard
D.	Body Height		Varies
E.	Body Width O. A.	Belt +	7.5"
F.	Tail End Width O. A.	Belt +	Varies
G.	Drive End Width O. A.	Belt +	Varies
Drive & Tail Pulley: Tapered			

Standard Features			
Body Construction:	Mild Steel	Bed Type:	Slider
Belt Type:	PVC	Belt Lacers:	Endless Finger Splice
Motor-Reducer Style:	TEFC-Shaft Mounted	Return Idlers:	Greased Packed Bearings
LX.	Motor Location: Left Side	Leg Support:	Tri-Lock H style
	Bearings: Greased Sealed, Self Aligning		

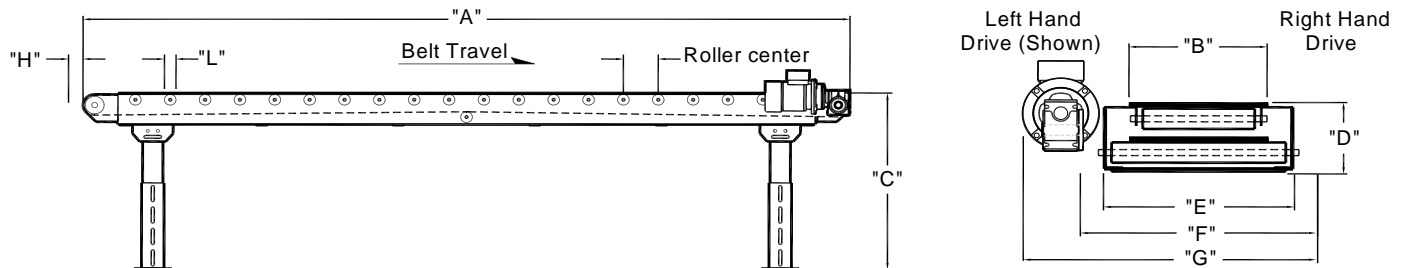
See options section for additional features

Power-Pack® Conveyor Company
 38363 Airport Parkway • Willoughby, OH 44094
 Phone: (440) 975-9955 • Fax: (440) 975-0505
 Website: www.power-packconveyor.com
 Email: ppcc@power-packconveyor.com



Safety Features: Patented Concealed Bearings,
 Patented Concealed Drive & Tail Rolls,
 Patented Boltless, Bearing Slide Mounts

BOR4W Light - BOR6W Medium - BOR8W Heavy Duty



POWER-PACK® Standard Conveyors - built the way you want them...

Field Info Required	Data	Field Info Required	Data
A. Conveyor Length O.A.		Total Load On Conveyor	
B. Belt Width		Belt Speed In Fpm	
C. Height T.O.B. (Top of Belt)		Power: Volts, Phase, Hz	
Product Being Carried:			
Adverse Condition If Any:			
Power-Pack will size for application			

Dimensions		Belt Width +	Light	Medium	Heavy
D.	Body Height		6.375"	8.375"	10.375"
E.	Body Width O. A.	Belt +	4.25"	4.25"	5.25"
F.	Tail End Width O. A.	Belt +	4.5"	6.25"	9.25"
G.	Drive End Width O. A.	Belt +	13.5"	15.25"	18.25"
H.	Belt Tension Take-Up Adjustment		2.5"	5"	11"
L.	Bed Roller Dia.		1.9"	2.5"	3.5"
	Bed Roller Ga.		9 ga	11 ga	0.300"
	Hex Shaft Dia.		7/16"	11/16"	1-1/16"
	Drive & Tail Pulley : Crowned		4.5"	6.625"	8.625"

Standard Features			
Body Construction : Mild Steel		Bed Type : Slider	
Belt Type : PVC		Belt Lacers: Clipper Lacer	
Motor-Reducer Style : TEFC-Shaft Mounted		Return Idlers: Greased Packed Bearings	
Motor Location : Left Side		Leg Support: Tri-Lock H style	
Bearings : Greased Sealed, Self Aligning			

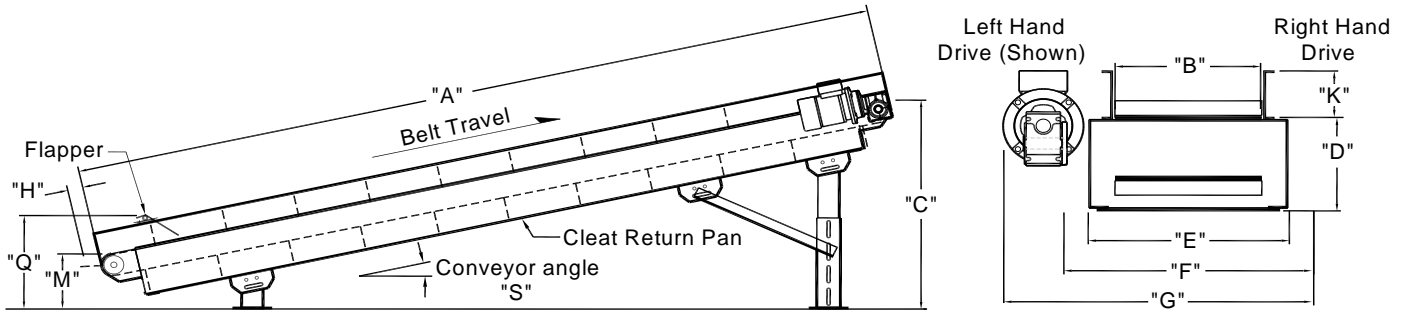
See options section for additional features

Power-Pack® Conveyor Company
38363 Airport Parkway • Willoughby, OH 44094
Phone: (440) 975-9955 • Fax: (440) 975-0505
Website: www.power-packconveyor.com
Email: ppcc@power-packconveyor.com



Safety Features: Patented Concealed Bearings,
Patented Concealed Drive & Tail Rolls,
Patented Boltless, Bearing Slide Mounts

KE4W Light - KE6W Medium - KE8W Heavy Duty



POWER-PACK® Standard Conveyors - built the way you want them...

Field Info Required	Data	Field Info Required	Data
A. Conveyor Length O.A.		Total Load On Conveyor	
B. Belt Width		Belt Speed In Fpm	
C. Height T.O.B. (Top of Belt)		Power: Volts, Phase, Hz	
M. Top of Belt @ Bottom		S. Conveyor Angle	
Product Being Carried:			
Adverse Condition If Any:			
Power-Pack will size for application			

Dimensions	Belt Width +	Light	Medium	Heavy
D. Body Height		8.125"	10.125"	12.25"
E. Body Width O. A.	Belt +	4.25"	4.25"	4.375"
F. Tail End Width O. A.	Belt +	4.5"	6.25"	9.25"
G. Drive End Width O. A.	Belt +	13.5"	15.25"	18.25"
Q. Load Height: (Top of Flapper)	M. +	5"	5"	5"
H. Belt Tension Take-Up Adjustment		2.5"	5"	11"
Drive & Tail Pulley: Crowned		4.5"	6.625"	8.625"

Standard Features			
Body Construction: Mild Steel		Bed Type: Slider	
Belt Type: PVC		Belt Lacers: Clipper Lacer	
Motor-Reducer Style: TEFC-Shaft Mounted		Return Idlers: Greased Packed Bearings	
Motor Location: Left Side		Leg Support: Tri-Lock H style	
Bearings: Greased Sealed, Self Aligning		Cleats: PVC 1-1/2" High on 12" Centers	
K. Sides: 4" Formed Channel			

See options section for additional features

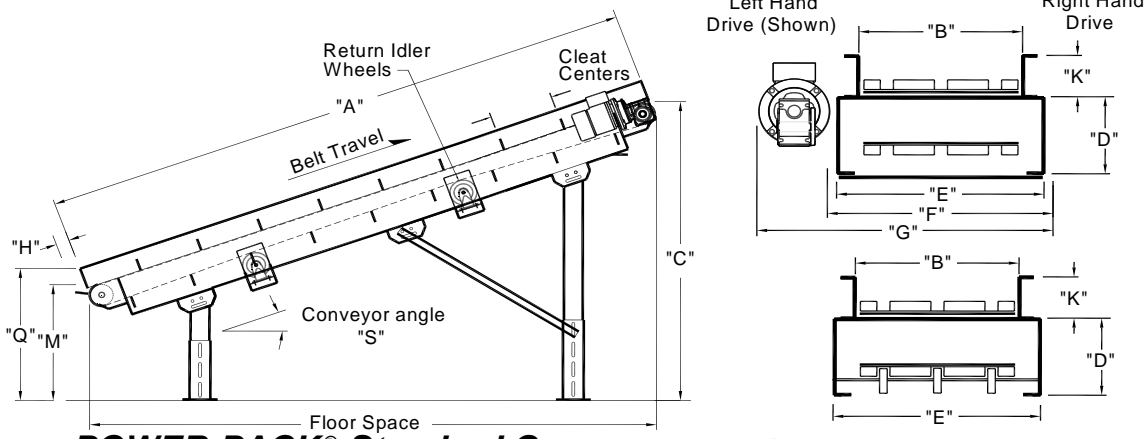
Power-Pack® Conveyor Company
 38363 Airport Parkway • Willoughby, OH 44094
 Phone: (440) 975-9955 • Fax: (440) 975-0505
 Website: www.power-packconveyor.com
 Email: ppcc@power-packconveyor.com



Safety Features: Patented Concealed Bearings,
 Patented Concealed Drive & Tail Rolls,
 Patented Boltless, Bearing Slide Mounts

Cleated Incline Belt Wheel Idler Conveyors

KEW4W Light - KEW6W Medium - KEW8W Heavy Duty



POWER-PACK® Standard Conveyors - built the way you want them...

Field Info Required	Data	Field Info Required	Data
A. Conveyor Length, Incline Section		Total Load On Conveyor	
B. Belt Width		Belt Speed In Fpm	
C. Height T.O.B.(Top of Belt)		Power: Volts, Phase, Hz	
M. Top of Belt @ Bottom		S. Conveyor Angle	
Product Being Carried:			
Adverse Condition If Any:			

Power-Pack will size for application

Dimensions		Belt Width +	Light	Medium	Heavy
D. Body Height			8.125"	10.125"	12.25"
E. Body Width O. A.		Belt +	4.25"	4.25"	5.25"
F. Tail End Width O. A.		Belt +	4.5"	6.25"	9.25"
G. Drive End Width O. A.		Belt +	13.5"	15.25"	18.25"
H. Belt Tension Take-Up Adjustment			2.5"	5"	11"
Q. Load Height (Top of Flapper)		M. +	5"	5"	5"
Idler Wheel Diam.:			6"	6"	10"
Drive & Tail Pulley : Crowned			4.5"	6.625"	8.625"

Standard Features

Body Construction : Mild Steel	Bed Type : Slider
Belt Type : PVC	Belt Lacers : Clipper Lacer
Motor-Reducer Style : TEFC-Shaft Mounted	Return Idlers : Greased Packed Bearings
Motor Location : Left Side	Leg Support : Tri-Lock H style
Bearings : Greased Sealed, Self Aligning	
K. Sides : 4" Formed Channel	

See options section for additional features

Power-Pack® Conveyor Company
 38363 Airport Parkway • Willoughby, OH 44094
 Phone: (440) 975-9955 • Fax: (440) 975-0505
 Website: www.power-packconveyor.com
 Email: ppcc@power-packconveyor.com

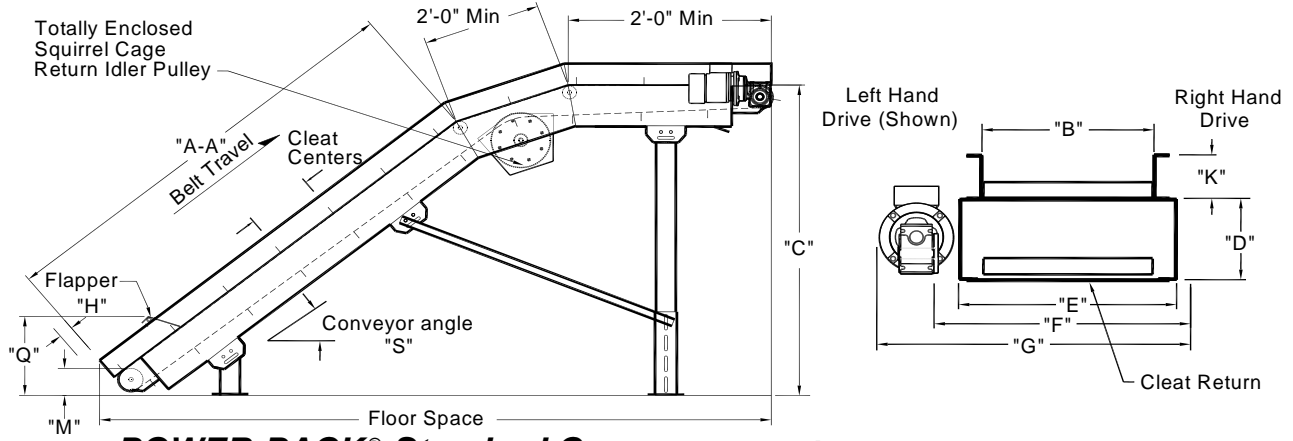


Safety Features: Patented Concealed Bearings,
 Patented Concealed Drive & Tail Rolls,
 Patented Boltless, Bearing Slide Mounts



Cleated Incline Nose-Over Belt Conveyors

KEJ4W Light - KEJ6W Medium - KEJ8W Heavy Duty



POWER-PACK® Standard Conveyors - built the way you want them...

Field Info Required	Data	Field Info Required	Data
A-A. Conveyor Length, Incline Section		Total Load On Conveyor	
B. Belt Width		Belt Speed In Fpm	
C. Height T.O.B.(Top of Belt)		Power: Volts, Phase, Hz	
M. Top of Belt @ Bottom		S. Conveyor Angle	
Product Being Carried:			
Adverse Condition If Any:			
Power-Pack will size for application			

	Dimensions	Belt Width +	Light	Medium	Heavy
D.	Body Height		8"	10"	10.125"
E.	Body Width O. A.	Belt +	4.25"	4.25"	5.25"
F.	Tail End Width O. A.	Belt +	6.25"	6.25"	9.25"
G.	Drive End Width O. A.	Belt +	15.25"	15.25"	18.25"
Q.	Load Height (Top of Flapper)	M. +	5"	5"	5"
H.	Belt Tension Take-Up Adjustment		2.5"	5"	8"
	Drive & Tail Pulley : Crowned		4.5"	6.625"	8.625"

Standard Features			
Body Construction : Mild Steel		Bed Type : Slider	
Belt Type : PVC		Belt Lacers: Clipper Lacer	
Motor-Reducer Style : TEFC-Shaft Mounted		Return Idlers: Greased Packed Bearings	
Motor Location : Left Side		Leg Support: Tri-Lock H style	
Bearings : Greased Sealed, Self Aligning		Cleats: PVC 1-1/2" High on 12" Centers	

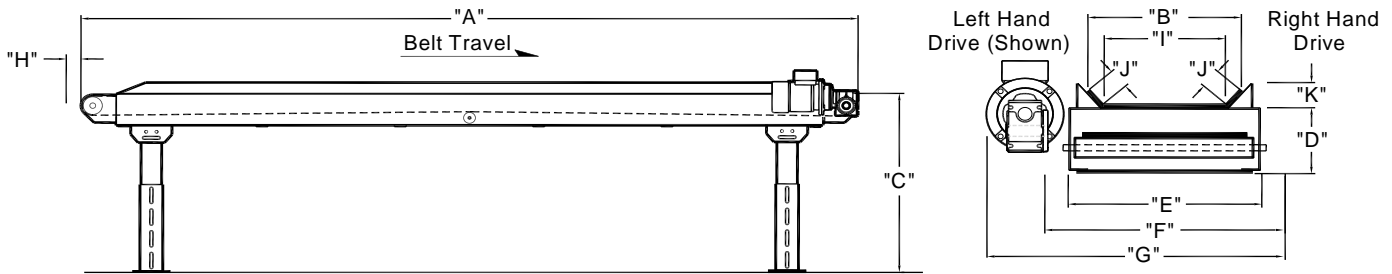
See options section for additional features

Power-Pack® Conveyor Company
 38363 Airport Parkway • Willoughby, OH 44094
 Phone: (440) 975-9955 • Fax: (440) 975-0505
 Website: www.power-packconveyor.com
 Email: ppcc@power-packconveyor.com



Safety Features: Patented Concealed Bearings,
 Patented Concealed Drive & Tail Rolls,
 Patented Boltless, Bearing Slide Mounts

HF4W Light - HF6W Medium - HF8W Heavy Duty



POWER-PACK® Standard Conveyors - built the way you want them...

Field Info Required	Data	Field Info Required	Data
A. Conveyor Length O.A.		Total Load On Conveyor	
B. Belt Width		Belt Speed In Fpm	
C. Height T.O.B. (Top of Belt)		Power: Volts, Phase, Hz	
Product Being Carried:			
Adverse Condition If Any:			
Power-Pack will size for application			

Dimensions		Belt Width +	Light	Medium	Heavy
D.	Body Height		6.125"	8.125"	10.25"
E.	Body Width O. A.	Belt +	4.25"	4.25"	4.375"
F.	Tail End Width O. A.	Belt +	4.5"	6.25"	9.25"
G.	Drive End Width O. A.	Belt +	13.5"	15.25"	18.25"
H.	Belt Tension Take-Up Adjustment		2.5"	5"	11"
	Drive & Tail Pulley : Crowned		4.5"	6.625"	8.625"
I.	Belt Flat (Pocket)	Belt -	8"	8"	8"
J.	Flange Sides		4"	4"	4"
K.	Sides		2.75"	2.75"	2.75"

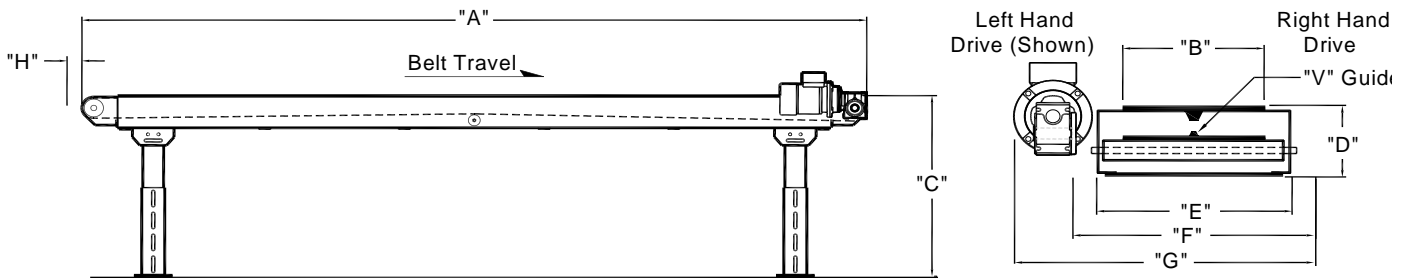
Standard Features			
Body Construction : Mild Steel		Bed Type : Slider	
Belt Type : PVC		Belt Lacers: Clipper Lacer	
Motor-Reducer Style : TEFC-Shaft Mounted		Return Idlers: Greased Packed Bearings	
Motor Location : Left Side		Leg Support: Tri-Lock H style	
Bearings : Greased Sealed, Self Aligning			
See options section for additional features			

Power-Pack® Conveyor Company
38363 Airport Parkway • Willoughby, OH 44094
Phone: (440) 975-9955 • Fax: (440) 975-0505
Website: www.power-packconveyor.com
Email: ppcc@power-packconveyor.com



Safety Features: Patented Concealed Bearings,
Patented Concealed Drive & Tail Rolls,
Patented Boltless, Bearing Slide Mounts

HV4W Light - HV6W Medium - HV8W Heavy Duty



POWER-PACK® Standard Conveyors - built the way you want them...

Field Info Required	Data	Field Info Required	Data
A. Conveyor Length O.A.		Total Load On Conveyor	
B. Belt Width		Belt Speed In Fpm	
C. Height T.O.B. (Top of Belt)		Power: Volts, Phase, Hz	
Product Being Carried:			
Adverse Condition If Any:			
Power-Pack will size for application			

Dimensions		Belt Width +	Light	Medium	Heavy
D. Body Height			6.125"	8.125"	10.25"
E. Body Width O. A.		Belt +	4.25"	4.25"	5.25"
F. Tail End Width O. A.		Belt +	4.5"	6.25"	9.25"
G. Drive End Width O. A.		Belt +	13.5"	15.25"	18.25"
H. Belt Tension Take-Up Adjustment			2.5"	5"	11"
Drive & Tail Pulley : Crowned			4.5"	6.625"	8.625"

Standard Features

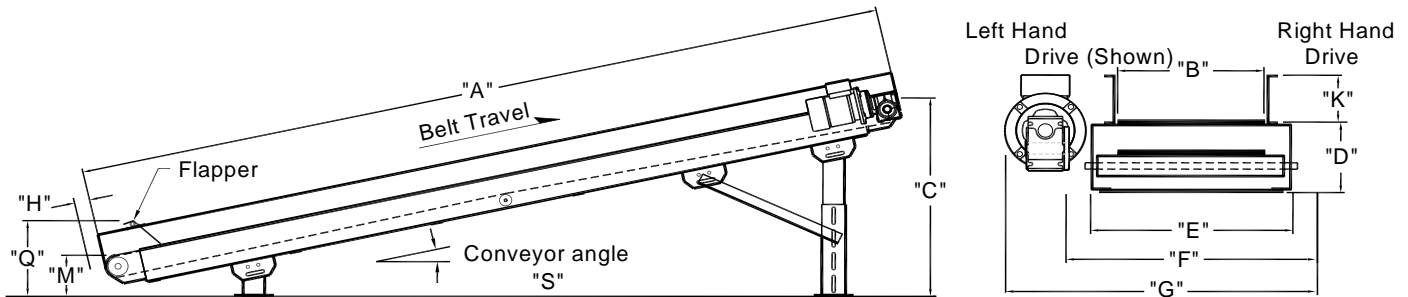
Body Construction : Mild Steel	Bed Type : Slider
Belt Type : PVC	Belt Lacers : Clipper Lacer
Motor-Reducer Style : TEFC-Shaft Mounted	Return Idlers : Greased Packed Bearings
Motor Location : Left Side	Leg Support : Tri-Lock H style
Bearings : Greased Sealed, Self Aligning	

See options section for additional features

Power-Pack® Conveyor Company
38363 Airport Parkway • Willoughby, OH 44094
Phone: (440) 975-9955 • Fax: (440) 975-0505
Website: www.power-packconveyor.com
Email: ppcc@power-packconveyor.com



Safety Features: Patented Concealed Bearings,
Patented Concealed Drive & Tail Rolls,
Patented Boltless, Bearing Slide Mounts



POWER-PACK® Standard Conveyors - built the way you want them...

Field Info Required	Data	Field Info Required	Data
A. Conveyor Length O.A.		Total Load On Conveyor	
B. Belt Width		Belt Speed In Fpm	
C. Height T.O.B. (Top of Belt)		Power: Volts, Phase, Hz	
M. Top of Belt @ Bottom		Roller Dia & Ga.	
S. Conveyor Angle			
Product Being Carried:			
Adverse Condition If Any:			

Power-Pack will size for application

Dimensions		Belt Width +	Light	Medium	Heavy
D. Body Height			6.125"	8.125"	10.25"
E. Body Width O. A.		Belt +	4.25"	4.25"	4.375"
F. Tail End Width O. A.		Belt +	4.5"	6.25"	6.25"
G. Drive End Width O. A.		Belt +	13.5"	15.25"	18.25"
Q. Load Height: (Top of Flapper)		M. +	5"	5"	5"
H. Belt Tension Take-Up Adjustment			2.5"	5"	11"
Drive & Tail Pulley : Crowned			4.5"	6.625"	8.625"

Standard Features

Body Construction : Mild Steel	Bed Type : Slider
Belt Type : PVC	Belt Lacers: Clipper Lacer
Motor-Reducer Style : TEFC-Shaft Mounted	Return Idlers: Greased Packed Bearings
Motor Location : Left Side	Leg Support: Tri-Lock H style
Bearings : Greased Sealed, Self Aligning	
K. Sides: 4" Formed Channel	

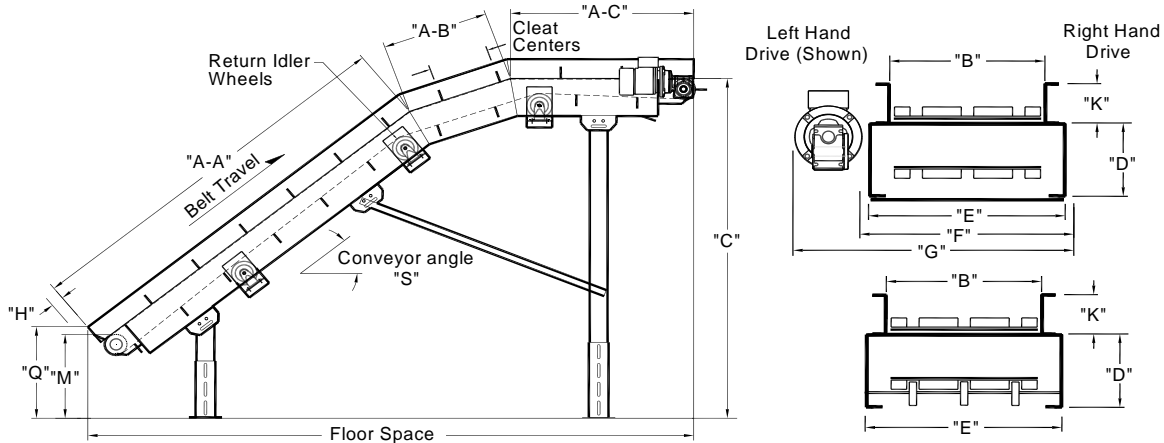
See options section for additional features

Power-Pack® Conveyor Company
 38363 Airport Parkway • Willoughby, OH 44094
 Phone: (440) 975-9955 • Fax: (440) 975-0505
 Website: www.power-packconveyor.com
 Email: ppcc@power-packconveyor.com



Safety Features: Patented Concealed Bearings,
 Patented Concealed Drive & Tail Rolls,
 Patented Boltless, Bearing Slide Mounts

EJW4W Light - EJW6W Medium - EJW8W Heavy Duty



POWER-PACK® Standard Conveyors - built the way you want them...

Field Info Required	Data	Field Info Required	Data
A-A. Conveyor Length, Bottom Section		Total Load On Conveyor	
A-B. Conveyor Length, Mid Section		Belt Speed In Fpm	
A-C. Conveyor Length, Top Section		Power: Volts, Phase, Hz	
B. Belt Width		M. Top of Belt @ Bottom	
C. Height T.O.B.(Top of Belt)		S. Conveyor Angle	
Product Being Carried:			
Adverse Condition If Any:			
Power-Pack will size for application			

	Dimensions	Belt Width +	Light	Medium	Heavy
D.	Body Height		8.125"	10.125"	12.25"
E.	Body Width O. A.	Belt +	4.25"	4.25"	5.25"
F.	Tail End Width O. A.	Belt +	4.5"	6.25"	9.25"
G.	Drive End Width O. A.	Belt +	13.5"	15.25"	18.25"
H.	Belt Tension Take-Up Adjustment		2.5"	5"	11"
Q.	Load Height (Top of Flapper)	M. +	5"	5"	5"
	Idler Wheel Diam.:		6"	6"	10"
	Drive & Tail Pulley: Crowned		4.5"	6.625"	8.625"

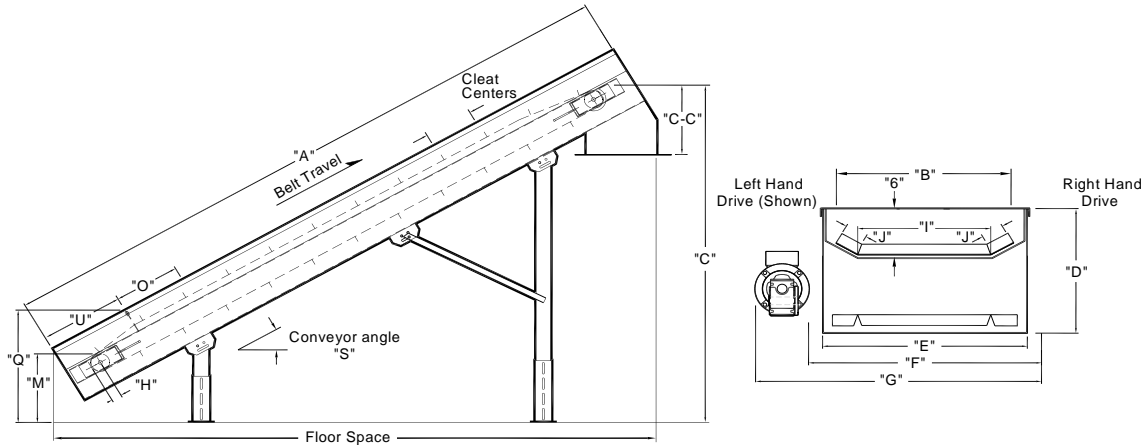
Standard Features			
Body Construction : Mild Steel		Bed Type : Slider	
Belt Type : PVC		Belt Lacers: Clipper Lacer	
Motor-Reducer Style : TEFC-Shaft Mounted		Return Idlers: Greased Packed Bearings	
Motor Location : Left Side		Leg Support: Tri-Lock H style	
Bearings : Greased Sealed, Self Aligning			
K. Sides : 4" Formed Channel			
See options section for additional features			

Power-Pack® Conveyor Company
 38363 Airport Parkway • Willoughby, OH 44094
 Phone: (440) 975-9955 • Fax: (440) 975-0505
 Website: www.power-packconveyor.com
 Email: ppcc@power-packconveyor.com



Safety Features: Patented Concealed Bearings,
 Patented Concealed Drive & Tail Rolls,
 Patented Boltless, Bearing Slide Mounts

VKE4W Light - VKE6W Medium - VKE8W Heavy Duty



POWER-PACK® Standard Conveyors - built the way you want them...

Field Info Required	Data	Field Info Required	Data
A. Conveyor Length O.A.		Total Load On Conveyor	
B. Belt Width		Belt Speed In Fpm	
C. Height T.O.B.(Top of Belt)		Power: Volts, Phase, Hz	
C-C. Length of Chute	S.	Conveyor Angle	
M. Top of Belt @ Bottom			
Product Being Carried:			
Adverse Condition If Any:			

Power-Pack will size for application

Dimensions		Belt Width +	Light	Medium	Heavy
D.	Body Height		14.25"	16.25"	18.25"
E.	Body Width O. A.	Belt +	0.75"	0.75"	0.75"
F.	Tail End Width O. A.	Belt +	5"	7"	7.75"
G.	Drive End Width O. A.	Belt +	14"	16"	16.75"
H.	Belt Tension Take-Up Adjustment		2.5"	5"	11"
	Drive & Tail Pulley : Crowned		4.5"	6.625"	8.625"
Q.	Load Height (Start of Opening)	M. +	5"	5"	5"
I.	Belt Flat (Pocket)	Belt -	8"	8"	8"
J.	Flange Sides		4"	4"	4"
U.	Distance to Inlet Opening		20"	24"	30"

Standard Features

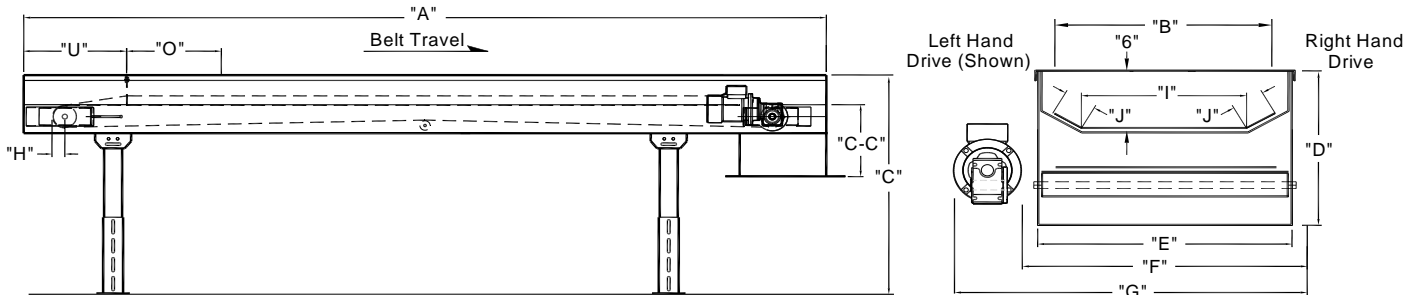
Body Construction : Mild Steel	Bed Type : Slider
Belt Type : PVC	Belt Lacers : Clipper Lacer
Motor-Reducer Style : TEFC-Shaft Mounted	Return Idlers : Greased Packed Bearings
Motor Location : Left Side	Leg Support : Tri-Lock H style
Bearings : Greased Sealed, Self Aligning	Cleats : PVC 1 1/2" High on 12" Centers

See options section for additional features

Power-Pack® Conveyor Company
 38363 Airport Parkway • Willoughby, OH 44094
 Phone: (440) 975-9955 • Fax: (440) 975-0505
 Website: www.power-packconveyor.com
 Email: ppcc@power-packconveyor.com



Safety Features: Patented Concealed Bearings,
 Patented Concealed Drive & Tail Rolls,
 Patented Boltless, Bearing Slide Mounts



POWER-PACK® Standard Conveyors - built the way you want them...

Field Info Required	Data	Field Info Required	Data
A. Conveyor Length O.A.		Total Load On Conveyor	
B. Belt Width		Belt Speed In Fpm	
C. Height T.O.B.(Top of Belt)		Power: Volts, Phase, Hz	
C-C. Length of Chute		O. Inlet Opening Length	
Product Being Carried:			
Adverse Condition If Any:			
Power-Pack will size for application			

Dimensions		Belt Width +	Light	Medium	Heavy
D.	Body Height		12.25"	14.25"	16.25"
E.	Body Width O. A.	Belt +	0.75"	0.75"	0.75"
F.	Tail End Width O. A.	Belt +	5"	7"	7.75"
G.	Drive End Width O. A.	Belt +	14"	16"	16.75"
H.	Belt Tension Take-Up Adjustment		2.5"	5"	11"
	Drive & Tail Pulley: Crowned		4.5"	6.625"	8.625"
I.	Belt Flat (Pocket)	Belt -	8"	8"	8"
J.	Flange Sides		4"	4"	4"
U.	Distance to Inlet Opening Min.:		20"	24"	36"

Standard Features			
Body Construction : Mild Steel		Bed Type : Slider	
Belt Type : PVC		Belt Lacers: Clipper Lacer	
Motor-Reducer Style : TEFC-Shaft Mounted		Return Idlers: Greased Packed Bearings	
Motor Location : Left Side		Leg Support: Tri-Lock H style	
Bearings : Greased Sealed, Self Aligning			
See options section for additional features			

Power-Pack® Conveyor Company
38363 Airport Parkway • Willoughby, OH 44094
Phone: (440) 975-9955 • Fax: (440) 975-0505
Website: www.power-packconveyor.com
Email: ppcc@power-packconveyor.com



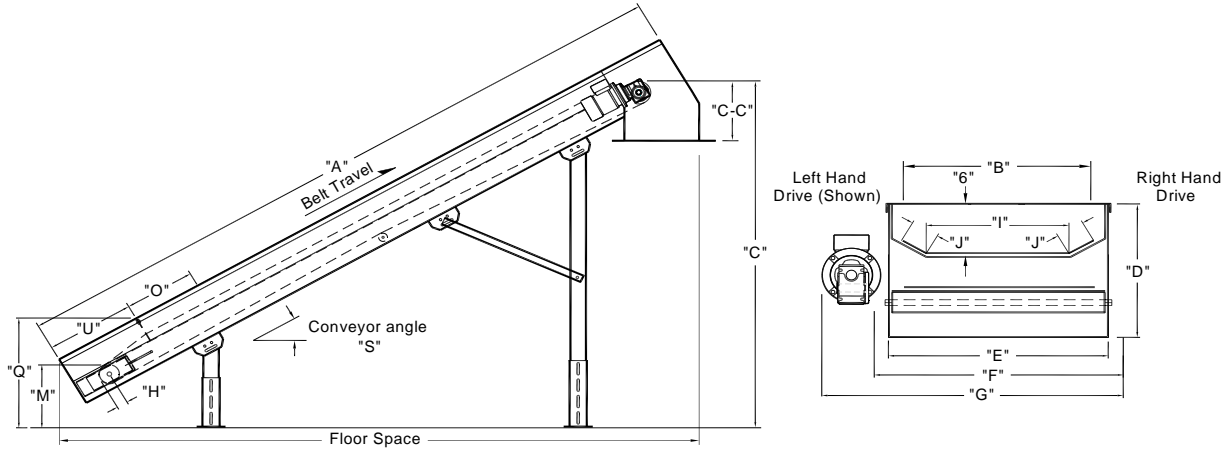
Safety Features: Patented Concealed Bearings,
Patented Concealed Drive & Tail Rolls,
Patented Boltless, Bearing Slide Mounts



POWER-PACK®
CONVEYOR COMPANY
Automating Industry, since 1929

Totally-Enclosed Flanged Incline Conveyors

VE4W Light - VE6W Medium - VE8W Heavy Duty



POWER-PACK® Standard Conveyors - built the way you want them...

Field Info Required	Data	Field Info Required	Data
A. Conveyor Length O.A.		Total Load On Conveyor	
B. Belt Width		Belt Speed In Fpm	
C. Height T.O.B.(Top of Belt)		Power: Volts, Phase, Hz	
C-C. Length of Chute		S. Conveyor Angle	
M. Top of Belt @ Bottom			
Product Being Carried:			
Adverse Condition If Any:			

Power-Pack will size for application

Dimensions		Belt Width +	Light	Medium	Heavy
D.	Body Height		12.25"	14.25"	16.25"
E.	Body Width O. A.	Belt +	0.75"	0.75"	0.75"
F.	Tail End Width O. A.	Belt +	5"	7"	7.75"
G.	Drive End Width O. A.	Belt +	14"	16"	16.75"
H.	Belt Tension Take-Up Adjustment		2.5"	5"	11"
	Drive & Tail Pulley : Crowned		4.5"	6.625"	8.625"
Q.	Load Height (Start of Opening)	M. +	5"	5"	5"
I.	Belt Flat (Pocket)	Belt -	8"	8"	8"
J.	Flange Sides		4"	4"	4"
U.	Distance to Inlet Opening		20"	24"	30"

Standard Features

Body Construction : Mild Steel	Bed Type : Slider
Belt Type : PVC	Belt Lacers : Clipper Lacer
Motor-Reducer Style : TEFC-Shaft Mounted	Return Idlers : Greased Packed Bearings
Motor Location : Left Side	Leg Support : Tri-Lock H style
Bearings : Greased Sealed, Self Aligning	
K. Sides : 4"	

See options section for additional features

Power-Pack® Conveyor Company
 38363 Airport Parkway • Willoughby, OH 44094
 Phone: (440) 975-9955 • Fax: (440) 975-0505
 Website: www.power-packconveyor.com
 Email: ppcc@power-packconveyor.com



Safety Features: Patented Concealed Bearings,
 Patented Concealed Drive & Tail Rolls,
 Patented Boltless, Bearing Slide Mounts