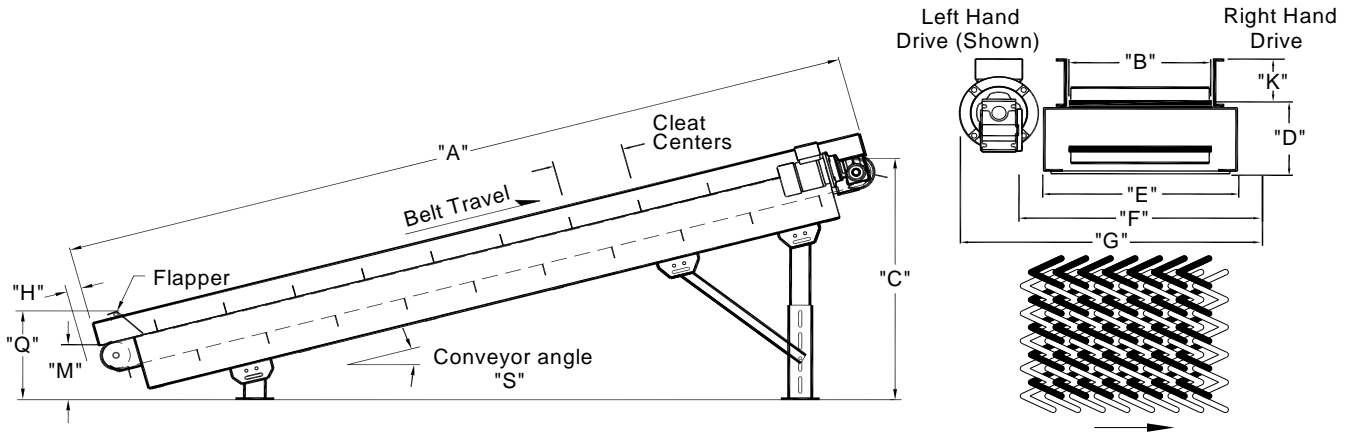


Balanced Weave Mesh Cleated Incline Conveyors

BWKE4W Light - BWKE6W Medium - BWKE8W Heavy Duty



POWER-PACK® Standard Conveyors - built the way you want them...

Field Info Required	Data	Field Info Required	Data
A. Conveyor Length O.A.		Total Load On Conveyor	
B. Belt Width		Belt Speed In Fpm	
C. Height T.O.B. (Top of Belt)		Power: Volts, Phase, Hz	
M. Top of Belt @ Bottom		S. Conveyor Angle	
Product Being Carried:			
Adverse Condition If Any:			
Power-Pack will size for application			

Dimensions	Belt Width +	Light	Medium	Heavy
D. Body Height		8.125"	10.25"	12.5"
E. Body Width O. A.	Belt +	4.25"	4.25"	5.25"
F. Tail End Width O. A.	Belt +	4.5"	6.25"	9.25"
G. Drive End Width O. A.	Belt +	13.5"	15.25"	18.25"
Q. Load Height (Top of Flapper)	M. +	5"	5"	5"
H. Belt Tension Take-Up Adjustment		2.5"	5"	11"
Drive & Tail Pulley : Crowned		4.5"	6.625"	8.625"

Standard Features			
Body Construction : Mild Steel		Bed Type : Slider with Plastic wear strips	
Belt Type : Balanced Weave Wire Mesh		Belt Lacers: Pin	
Motor-Reducer Style : TEFC-Shaft Mounted		Return Idlers: Greased Packed Bearings	
Motor Location : Left Side		Leg Support: Tri-Lock H style	
Bearings : Greased Sealed, Self Aligning		Cleats: Steel Angle x 1-1/2" @ 12" Centers	
K. Sides : 4" Formed Channel			
See options section for additional features			

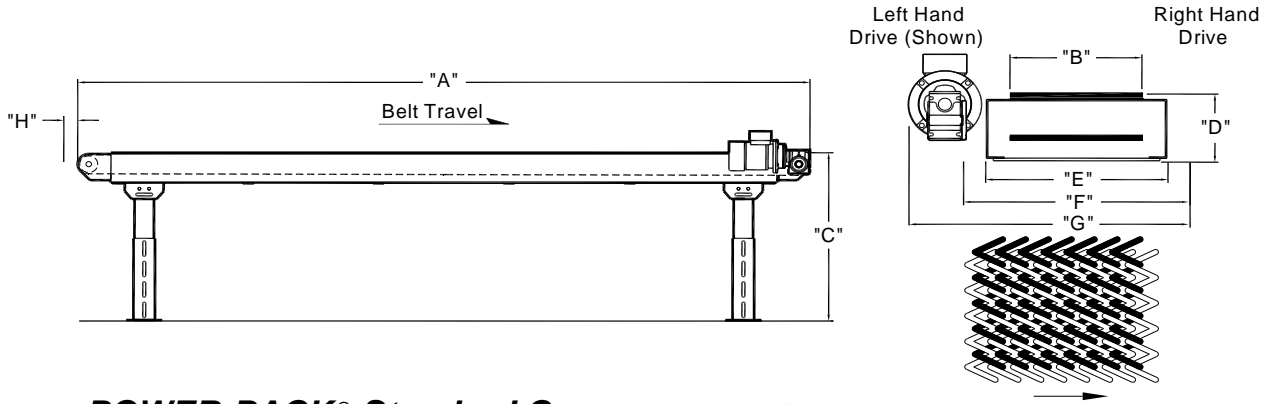
Power-Pack® Conveyor Company
38363 Airport Parkway • Willoughby, OH 44094
Phone: (440) 975-9955 • Fax: (440) 975-0505
Website: www.power-packconveyor.com
Email: ppcc@power-packconveyor.com



Safety Features: Patented Concealed Bearings,
Patented Concealed Drive & Tail Rolls,
Patented Boltless, Bearing Slide Mounts

Balanced Weave Wire Mesh Horizontal Conveyor

BWH4W Light - BWH6W Medium - BWH8W Heavy Duty



POWER-PACK® Standard Conveyors - built the way you want them...

Field Info Required		Data	Field Info Required		Data
A.	Conveyor Length O.A.		Total Load On Conveyor		
B.	Belt Width		Belt Speed In Fpm		
C.	Height T.O.B. (Top of Belt)		Power: Volts, Phase, Hz		
Bed Style					
Product Being Carried:					
Adverse Condition If Any:					

Power-Pack will size for application

Dimensions		Belt Width +	Light	Medium	Heavy
D.	Body Height		6.125"	8.125"	10.125"
E.	Body Width O. A.	Belt +	4.25"	4.25"	5.25"
F.	Tail End Width O. A.	Belt +	4.5"	6.25"	9.25"
G.	Drive End Width O. A.	Belt +	13.5"	15.25"	18.25"
H.	Belt Tension Take-Up Adjustment		2.5"	5"	11"
Drive & Tail Pulley : Crowned			4.5"	6.625"	8.625"

Standard Features

Body Construction : Mild Steel	Bed : Slider with Plastic wear strips
Belt Type: Balanced Weave Wire Mesh	Belt Lacers: Pin
Motor-Reducer Style : TEFC-Shaft Mounted	Return Idlers: Greased Packed Bearings
Motor Location : Left Side	Leg Support: Tri-Lock H style
Bearings : Greased Sealed, Self Aligning	

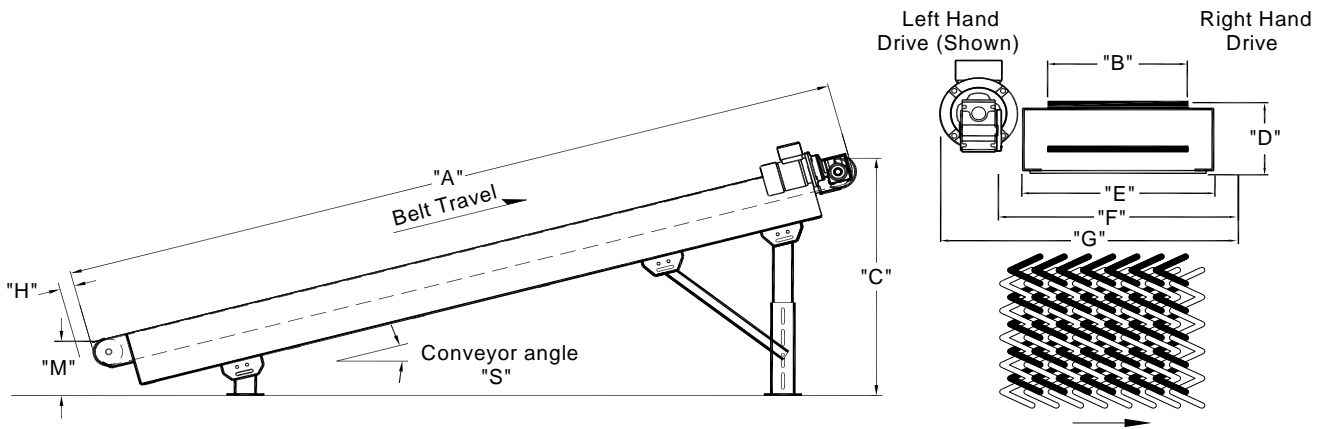
See options section for additional features

Power-Pack® Conveyor Company
 38363 Airport Parkway • Willoughby, OH 44094
 Phone: (440) 975-9955 • Fax: (440) 975-0505
 Website: www.power-packconveyor.com
 Email: ppcc@power-packconveyor.com



Safety Features: Patented Concealed Bearings,
 Patented Concealed Drive & Tail Rolls,
 Patented Boltless, Bearing Slide Mounts

BWE4W Light - BWE6W Medium - BWE8W Heavy Duty



POWER-PACK® Standard Conveyors - built the way you want them...

Field Info Required	Data	Field Info Required	Data
A. Conveyor Length O.A.		Total Load On Conveyor	
B. Belt Width		Belt Speed In Fpm	
C. Height T.O.B. (Top of Belt)		Power: Volts, Phase, Hz	
M. Top of Belt @ Bottom		S. Conveyor Angle	
Product Being Carried:			
Adverse Condition If Any:			

Power-Pack will size for application

Dimensions	Belt Width +	Light	Medium	Heavy
D. Body Height		6.125"	8.125"	10.25"
E. Body Width O. A.	Belt +	4.25"	4.25"	4.375"
F. Tail End Width O. A.	Belt +	4.5"	6.25"	9.25"
G. Drive End Width O. A.	Belt +	13.5"	15.25"	18.25"
Q. Load Height (Top of Flapper)	M.+	5"	5"	5"
H. Belt Tension Take-Up Adjustment		2.5"	5"	11"
Drive & Tail Pulley : Crowned		4.5"	6.625"	8.625"

Standard Features

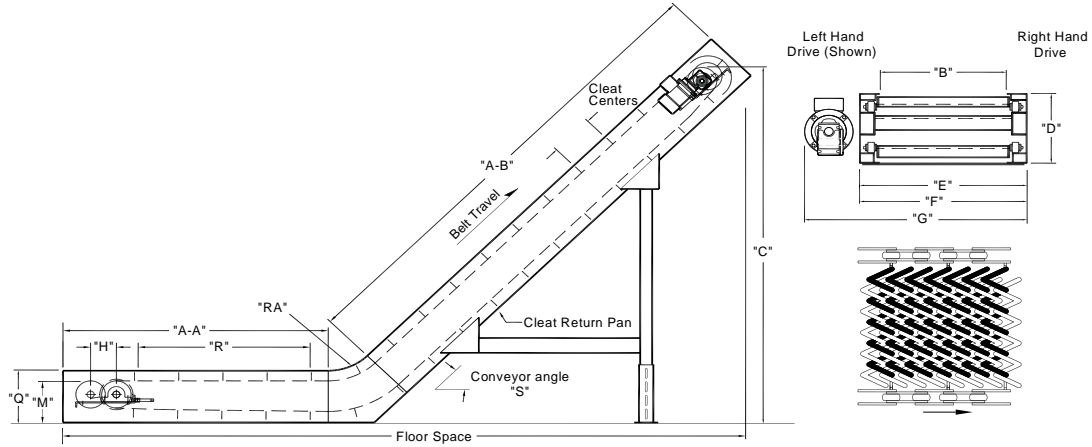
Body Construction : Mild Steel	Belt Type : Balanced Weave Wire Mesh
Bed : Slider with Plastic wear strips	Belt Lacers : Pin
Motor-Reducer Style : TEFC-Shaft Mounted	Return Idlers : Greased Packed Bearings
Motor Location : Left Side	Leg Support : Tri-Lock H style
Bearings : Greased Sealed, Self Aligning	

See options section for additional features

Power-Pack® Conveyor Company
 38363 Airport Parkway • Willoughby, OH 44094
 Phone: (440) 975-9955 • Fax: (440) 975-0505
 Website: www.power-packconveyor.com
 Email: ppcc@power-packconveyor.com



Safety Features: Patented Concealed Bearings,
 Patented Concealed Drive & Tail Rolls,
 Patented Boltless, Bearing Slide Mounts



POWER-PACK® Standard Conveyors - built the way you want them...

Field Info Required		Data	Field Info Required		Data
A-A	Conveyor Length: Lower Section.		A-B	Conveyor Length: Incline Section	
B.	Belt Width			Total Load On Conveyor	
C.	Height T.O.B.(Top of Belt)			Belt Speed In Fpm	
M.	Top of Belt @ Bottom			Power: Volts, Phase, Hz	
S.	Conveyor Angle		R.	Load Section	
Product Being Carried:					
Adverse Condition If Any:					
Power-Pack will size for application					

Dimensions		Belt Width +	Light	Medium	Heavy
D.	Body Height		8.125"	10.25"	12.5"
E.	Body Width O. A.	Belt +	4.25"	4.25"	5.25"
F.	Tail End Width O. A.	Belt +	4.5"	6.25"	9.25"
G.	Drive End Width O. A.	Belt +	13.5"	15.25"	18.25"
H.	Belt Tension Take-Up Adjustment		2.5"	5"	11"
	Drive & Tail Sprocket:		4"	6"	8"
Q.	Load Height Min.		8.125"	10.25"	12.5"
R-A	Curve radius Min.		6"	6"	8"

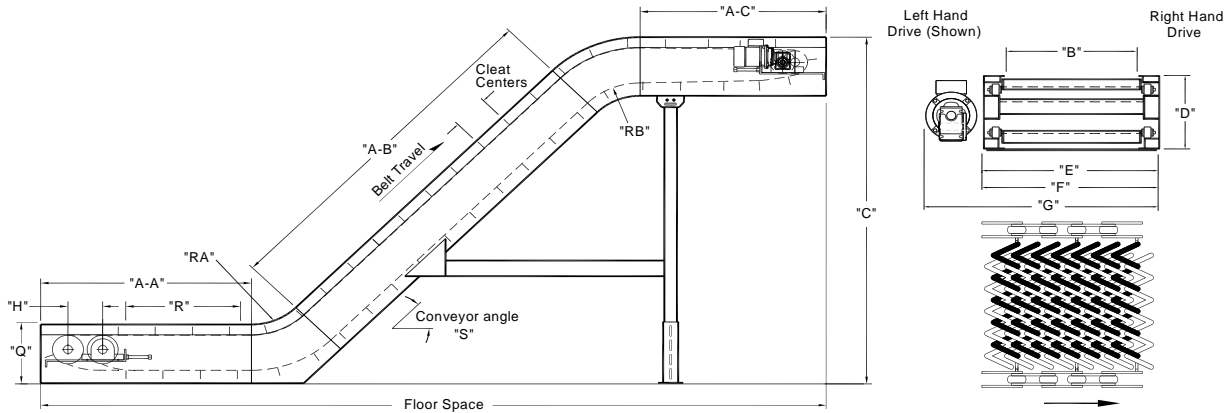
Standard Features			
Body Construction : Mild Steel		Bed Type : Slider with Plastic wear strips	
Belt Type : Balanced Weave Mesh		Belt Lacers : Pin	
Motor-Reducer Style : TEFC-Shaft Mounted		Return Idlers : Greased Packed Bearings	
Motor Location : Left Side		Leg Support : Tri-Lock H style	
Bearings : Greased Sealed, Self Aligning		Cleats : Steel Angle x 1-1/2" @ 12" Centers	
See options section for additional features			

Power-Pack® Conveyor Company
 38363 Airport Parkway • Willoughby, OH 44094
 Phone: (440) 975-9955 • Fax: (440) 975-0505
 Website: www.power-packconveyor.com
 Email: ppcc@power-packconveyor.com



Safety Features: Patented Concealed Bearings,
 Patented Concealed Drive & Tail Rolls,
 Patented Boltless, Bearing Slide Mounts

BWZ4W Light - BWZ6W Medium - BWZ8W Heavy Duty



POWER-PACK® Standard Conveyors - built the way you want them...

Field Info Required	Data	Field Info Required	Data
A-A	Conveyor Length: Lower Section.	A-B	Conveyor Length: Incline Section
A-C	Conveyor Length: Upper Section.		Total Load On Conveyor
B.	Belt Width Opening		Belt Speed In Fpm
C.	Height T.O.B. (Top of Belt)		Power: Volts, Phase, Hz
M.	Top of Belt @ Bottom	S.	Conveyor Angle
R.	Load Section		
Product Being Carried:			
Adverse Condition If Any:			
Power-Pack will size for application			

	Dimensions	Belt Width +	Light	Medium	Heavy
D.	Body Height		8.125"	10.25"	12.5"
E.	Body Width O. A.	Belt +	4.25"	4.25"	5.25"
F.	Tail End Width O. A.	Belt +	4.5"	6.25"	9.25"
G.	Drive End Width O. A.	Belt +	13.5"	15.25"	18.25"
H.	Belt Tension Take-Up Adjustment		2.5"	5"	11"
	Drive & Tail Sprocket:		4"	6"	8"
Q.	Load Height Min.		8.125"	10.25"	12.5"
RA.	Curve Radius Min.		6"	6"	8"
RB.	Curve Radius Min.		6"	6"	8"

Standard Features			
Body Construction :	Mild Steel	Bed Type :	Slider with Plastic wear strips
Belt Type :	Balanced Weave Mesh	Belt Lacers :	Pin
Motor-Reducer Style :	TEFC-Shaft Mounted	Return Idlers :	Greased Packed Bearings
Motor Location :	Left Side	Leg Support :	Tri-Lock H style
Bearings :	Greased Sealed, Self Aligning	Cleats :	Steel Angle x 1-1/2" @ 12" Centers
K.	Sides : 4" Formed Channel		
See options section for additional features			

Power-Pack® Conveyor Company
 38363 Airport Parkway • Willoughby, OH 44094
 Phone: (440) 975-9955 • Fax: (440) 975-0505
 Website: www.power-packconveyor.com
 Email: ppcc@power-packconveyor.com



Safety Features: Patented Concealed Bearings,
 Patented Concealed Drive & Tail Rolls,
 Patented Boltless, Bearing Slide Mounts