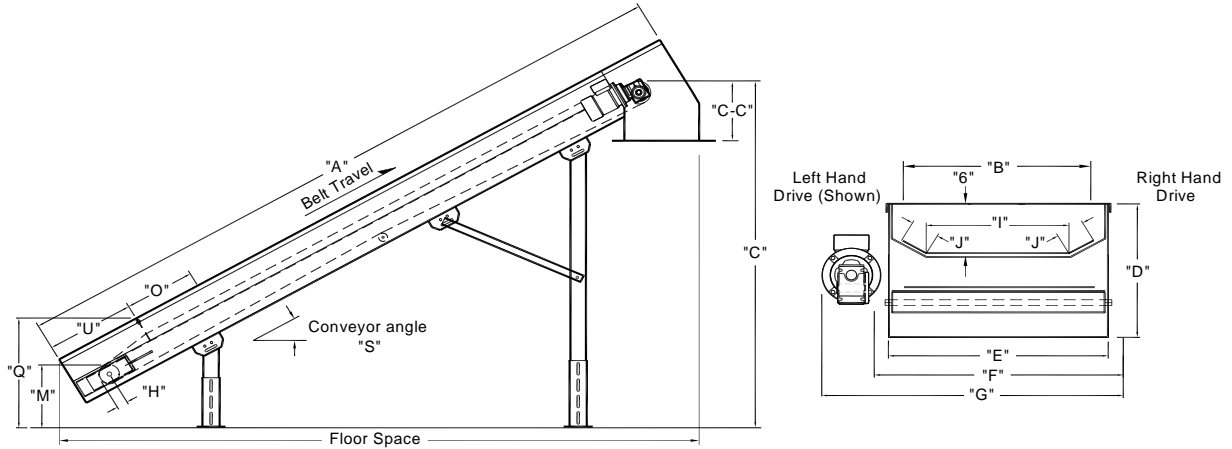




**POWER-PACK®**  
**CONVEYOR COMPANY**  
*Automating Industry, since 1929*

## Totally-Enclosed Flanged Incline Conveyors

VE4W Light - VE6W Medium - VE8W Heavy Duty



**POWER-PACK® Standard Conveyors - built the way you want them...**

Field Info Required	Data	Field Info Required	Data
A. Conveyor Length O.A.		Total Load On Conveyor	
B. Belt Width		Belt Speed In Fpm	
C. Height T.O.B.(Top of Belt)		Power: Volts, Phase, Hz	
C-C. Length of Chute		S. Conveyor Angle	
M. Top of Belt @ Bottom			
Product Being Carried:			
Adverse Condition If Any:			
<b>Power-Pack will size for application</b>			

	Dimensions	Belt Width +	Light	Medium	Heavy
D.	Body Height		12.25"	14.25"	16.25"
E.	Body Width O. A.	Belt +	0.75"	0.75"	0.75"
F.	Tail End Width O. A.	Belt +	5"	7"	7.75"
G.	Drive End Width O. A.	Belt +	14"	16"	16.75"
H.	Belt Tension Take-Up Adjustment		2.5"	5"	11"
	Drive & Tail Pulley : <b>Crowned</b>		4.5"	6.625"	8.625"
Q.	Load Height ( Start of Opening )	M. +	5"	5"	5"
I.	Belt Flat (Pocket)	Belt -	8"	8"	8"
J.	Flange Sides		4"	4"	4"
U.	Distance to Inlet Opening		20"	24"	30"

Standard Features	
Body Construction : <b>Mild Steel</b>	Bed Type : <b>Slider</b>
Belt Type : <b>PVC</b>	Belt Lacers : <b>Clipper Lacer</b>
Motor-Reducer Style : <b>TEFC-Shaft Mounted</b>	Return Idlers : <b>Greased Packed Bearings</b>
Motor Location : <b>Left Side</b>	Leg Support : <b>Tri-Lock H style</b>
Bearings : <b>Greased Sealed, Self Aligning</b>	
K. Sides : <b>4"</b>	

See options section for additional features

**Power-Pack® Conveyor Company**  
 38363 Airport Parkway • Willoughby, OH 44094  
 Phone: (440) 975-9955 • Fax: (440) 975-0505  
 Website: [www.power-packconveyor.com](http://www.power-packconveyor.com)  
 Email: [ppcc@power-packconveyor.com](mailto:ppcc@power-packconveyor.com)



**Safety Features:** Patented Concealed Bearings,  
 Patented Concealed Drive & Tail Rolls,  
 Patented Boltless, Bearing Slide Mounts