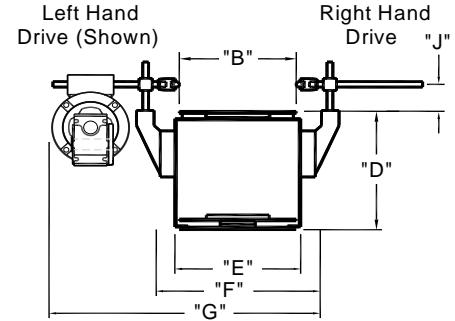
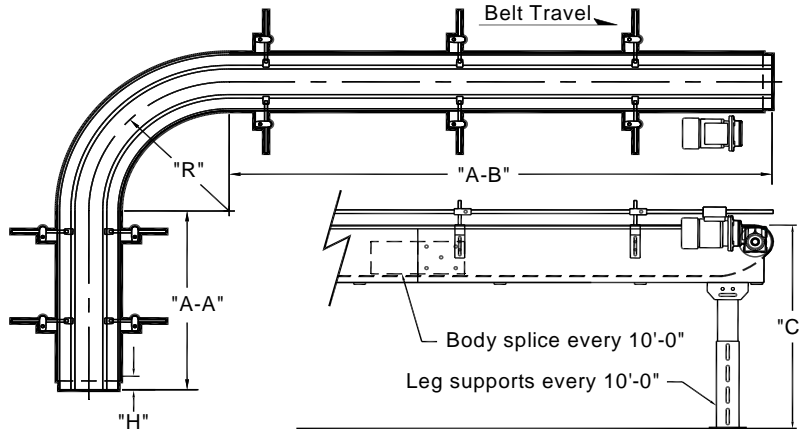




**POWER-PACK®**  
**CONVEYOR COMPANY**  
*Automating Industry, since 1929*

## Table Top 90 deg. Horizontal Belt Curve Conveyors

DC4W Light - DC6W Medium - DC8W Heavy Duty



**POWER-PACK® Standard Conveyors - built the way you want them...**

	Field Info Required	Data		Field Info Required	Data
A-A.	Conveyor Length: <b>Start Section</b>		A-B.	Conveyor Length: <b>End Section</b>	
B.	<b>Belt Width</b>			<b>Total Load</b> On Conveyor	
C.	<b>Height</b> T. O. B. (Top of Belt)			<b>Belt Speed</b> In Fpm	
R.	<b>Curve Radius</b>			<b>Power:</b> Volts, Phase, Hz	
	<b>Product</b> Being Carried :				
	<b>Adverse Condition</b> If Any :				
<b>Power-Pack will size for application</b>					

	Dimensions	Belt Width +	Medium
D.	Body Height		11"
E.	Body Width O. A.	Belt +	1.75"
F.	Tail End Width O. A.	Belt +	2.125"
G.	Drive End Width O. A.	Belt +	11.125"
H.	Belt Tension Take Up Adjustment		5"
	Drive & Tail Pulley: <b>Crowned</b>		6.625"

Standard Features			
Body Construction :	<b>Mild Steel</b>	Bed :	<b>Slider UHMWP Rails</b>
Belt Type :	<b>LF Thermoplastic</b>	Belt Lacers :	<b>Pin</b>
Motor-Reducer Style :	<b>TEFC-Shaft Mounted</b>	Return Idlers :	<b>Greased Packed Bearings</b>
Motor Location :	<b>Left Side</b>	Leg Support :	<b>Tri-Lock H style</b>
Bearings :	<b>Greased Sealed, Self Aligning</b>		
J. Sides :	<b>Adjustable UHMWP Value Guide</b>		
<b>See options section for additional features</b>			

**Power-Pack® Conveyor Company**

38363 Airport Parkway • Willoughby, OH 44094

Phone: (440) 975-9955 • Fax: (440) 975-0505

Website: [www.power-packconveyor.com](http://www.power-packconveyor.com)

Email: [ppcc@power-packconveyor.com](mailto:ppcc@power-packconveyor.com)



<b>Safety Features:</b> Patented Concealed Bearings,
Patented Concealed Drive & Tail Rolls,
Patented Boltless, Bearing Slide Mounts