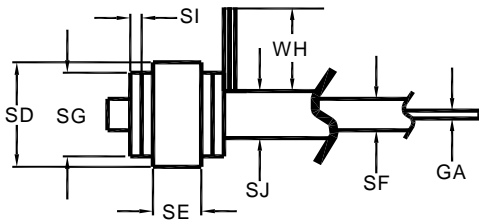
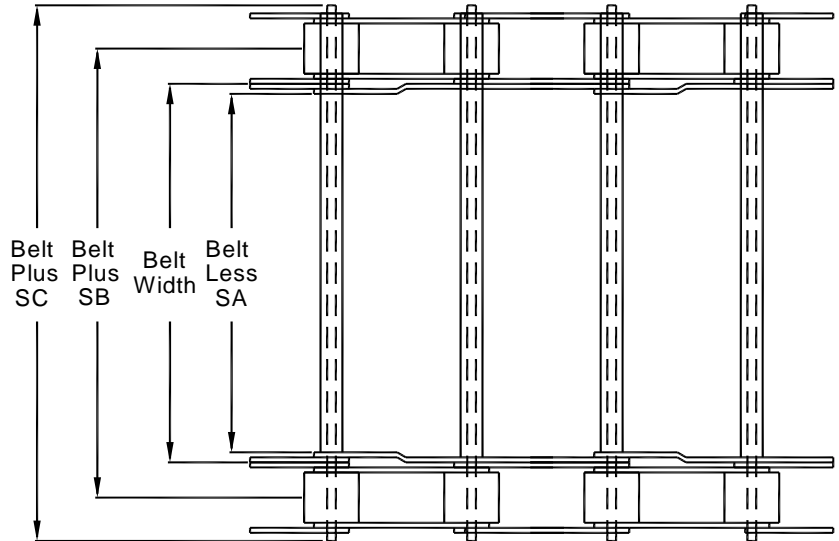


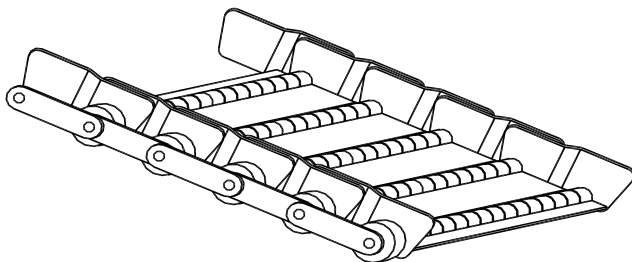
POWER-PACK® Standard Conveyors - built the way you want them...



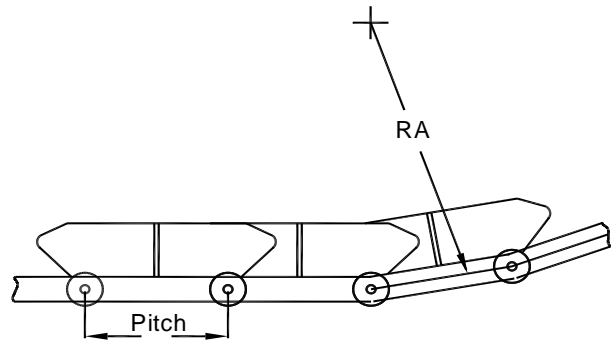
Steel Hinge/Cleat Detail



Steel Hinge Widths



Standard Steel Hinge Belt



Steel Hinge Pitch and Curve Radius

Pitch	Wing Height WH	Belt Thickness GA	Inside Wings SA	Chain Center SB	O.A. Width SC	Roller		Pin SF	Side Bar		Hinge SJ	Back Flex Std. Radius RA	Allowable Belt Pull lbs.
						SD	SE		SG	SI			
2 1/2	1.50"	0.1250"	0.5000"	1.0593"	3.625"	1.5625"	0.8750"	0.375"	1.00"	0.1562"	0.625"	12"	2800
4	2.50"	0.1250"	0.5625"	1.9375"	4.625"	1.7500"	1.0625"	0.500"	1.75"	0.1875"	0.750"	18"	4000
6	4.00"	0.1875"	0.1825"	2.3125"	5.375"	2.5000"	1.0625"	0.750"	2.50"	0.2500"	1.125"	32"	6600

Power-Pack® Conveyor Company
 38363 Airport Parkway • Willoughby, OH 44094
 Phone: (440) 975-9955 • Fax: (440) 975-0505
 Website: www.power-packconveyor.com
 Email: ppcc@power-packconveyor.com



Safety Features: *Patented Concealed Bearings, Patented Concealed Drive & Tail Rolls, Patented Boltless, Bearing Slide Mounts*