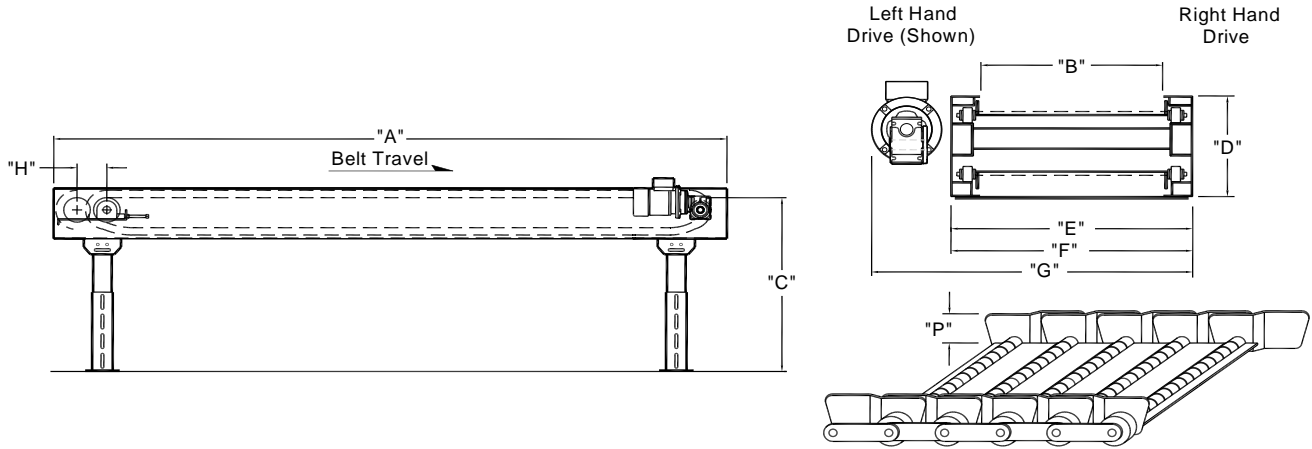


SH4W Light - SH6W Medium - SH8W Heavy Duty



POWER-PACK® Standard Conveyors - built the way you want them...

Field Info Required	Data	Field Info Required	Data
A. Conveyor Length O.A.		Total Load On Conveyor	
B. Belt Width		Belt Speed In Fpm	
C. Height T.O.B.(Top of Belt)		Power: Volts, Phase, Hz	
Product Being Carried:			
Adverse Condition If Any:			
Power-Pack will size for application			

Dimensions	Belt Width +	Light	Medium	Heavy
Chain Pitch:		2.5"	4"	6"
D. Body Height		10.25"	15.25"	22.25"
E. Body Width O. A.	Belt +	4.75"	5.875"	6.875"
F. Tail End Width O. A.	Belt +	10.25"	11.25"	13.5"
G. Drive End Width O. A.	Belt +	19.5"	20.25"	22.5"
H. Belt Tension Take Up Adjustment		5"	7.5"	11"
Drive & Tail Sprocket:		5"	8"	12"
P. Side Wings: Welded		1.5"	2.5"	4"

Standard Features			
Body Construction : Mild Steel		Belt Lacers: Pin	
Belt Type : Plain Steel		Return Idlers: Greased Packed Bearings	
Motor-Reducer Style : TEFC-Shaft Mounted		Leg Support: Tri-Lock H style	
Motor Location : Left Side		Bearings: Greased Sealed, Self Aligning	
See options section for additional features			

Power-Pack® Conveyor Company
 38363 Airport Parkway • Willoughby, OH 44094
 Phone: (440) 975-9955 • Fax: (440) 975-0505
 Website: www.power-packconveyor.com
 Email: ppcc@power-packconveyor.com



Safety Features: Patented Concealed Bearings,
 Patented Concealed Drive & Tail Rolls,
 Patented Boltless, Bearing Slide Mounts