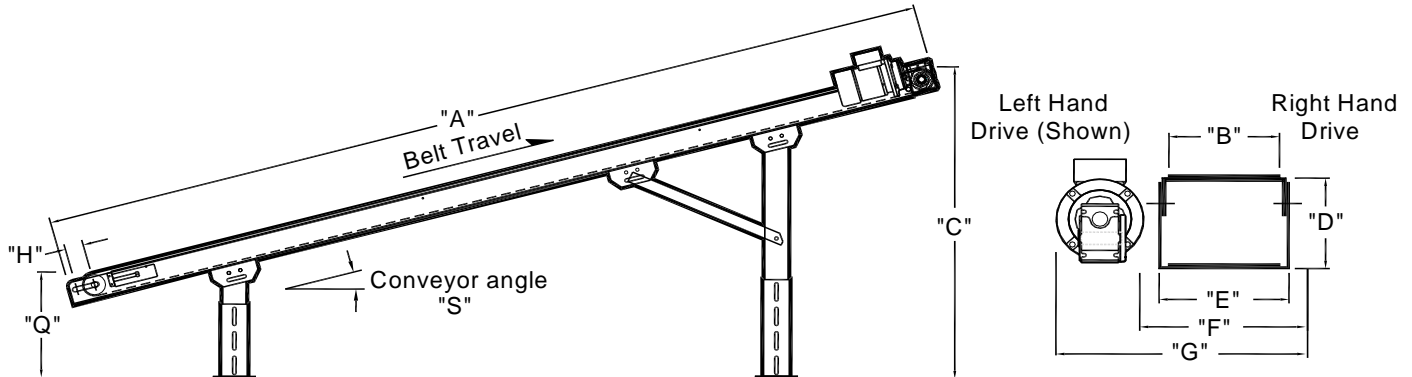


**GLE Medium Duty**



**POWER-PACK® Standard Conveyors - built the way you want them...**

Field Info Required	Data	Field Info Required	Data
A. Conveyor Length O.A.		Total Load On Conveyor	
B. Belt Width		Belt Speed In Fpm	
C. Height T.O.B. (Top of Belt)		Power: Volts, Phase, Hz	
Q. Load Height (Top of Belt)		S. Incline Angle	
<b>Product Being Carried:</b>			
<b>Adverse Condition If Any:</b>			
<b>Power-Pack will size for application</b>			

Dimensions	Belt Width +	Medium
D. Body Height		2.875"
E. Body Width O.A.	Belt +	0.5"
F. Tail End Width O.A.	Belt +	0.5"
G. Drive End Width O.A.	Belt +	13"
H. Belt Tension Take-Up Adjustment		1.25"
Drive & Tail Pulley: <b>Crowned</b>		2.375"

Standard Features			
Body Construction: <b>Mild Steel</b>		Bed Type: <b>Slider</b>	
Belt Type: <b>PVC</b>		Belt Lacers: <b>Endless Finger Splice</b>	
Motor-Reducer Style: <b>TEFC-Shaft Mounted</b>		Return Idlers: <b>Greased Packed Bearings</b>	
Motor Location: <b>Left Side</b>		Leg Support: <b>Tri-Lock H style</b>	
Bearings: <b>Greased Sealed, Self Aligning</b>			
<b>See options section for additional features</b>			

**Power-Pack® Conveyor Company**  
 38363 Airport Parkway • Willoughby, OH 44094  
 Phone: (440) 975-9955 • Fax: (440) 975-0505  
 Website: [www.power-packconveyor.com](http://www.power-packconveyor.com)  
 Email: [ppcc@power-packconveyor.com](mailto:ppcc@power-packconveyor.com)



**Safety Features:** *Patented Concealed Bearings,*  
*Patented Concealed Drive & Tail Rolls,*  
*Patented Boltless, Bearing Slide Mounts*