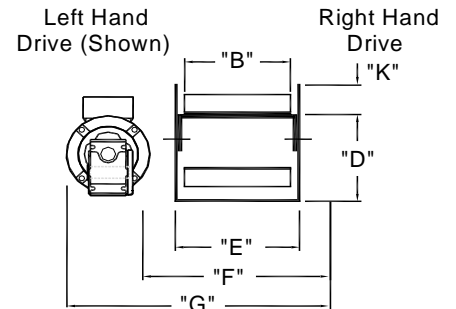
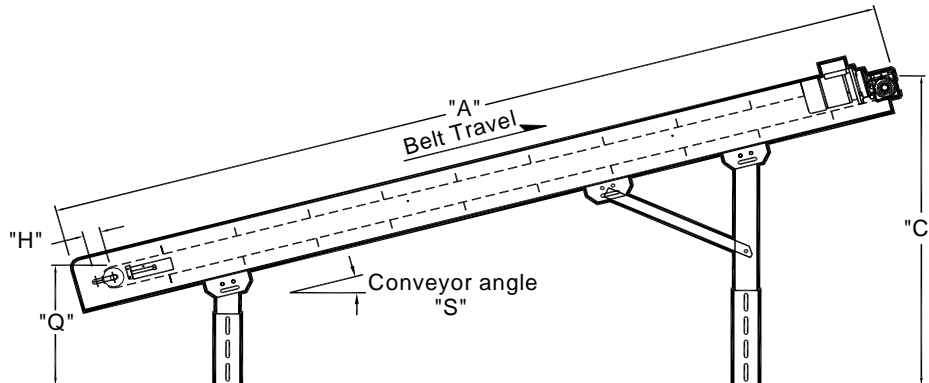


GLK Medium Duty



POWER-PACK® Standard Conveyors - built the way you want them...

Field Info Required		Data	Field Info Required		Data
A.	Conveyor Length O.A.			Total Load On Conveyor	
B.	Belt Width			Belt Speed In Fpm	
C.	Height T.O.B. (Top of Belt)			Power: Volts, Phase, Hz	
Q.	Load Height (Top of Belt)		S.	Incline Angle	
Product Being Carried:					
Adverse Condition If Any:					
Power-Pack will size for application					

Dimensions		Belt Width +	Medium
D.	Body Height		4.313"
E.	Body Width O. A.	Belt +	0.5"
F.	Tail End Width O. A.	Belt +	0.5"
G.	Drive End Width O. A.	Belt +	13"
H.	Belt Tension Take-Up Adjustment		2"
Drive & Tail Pulley: Crowned			2.375"

Standard Features			
Body Construction: Mild Steel		Bed Type: Slider	
Belt Type: PVC		Belt Lacers: Endless Finger Splice	
Motor-Reducer Style: TEFC-Shaft Mounted		Return Idlers: Greased Packed Bearings	
Motor Location: Left Side		Leg Support: Tri-Lock H style	
Bearings: Greased Sealed, Self Aligning		Cleats: PVC 1-1/2" High on 12" Centers	
K. Sides: 2", Integral with Body			
See options section for additional features			

Power-Pack® Conveyor Company
 38363 Airport Parkway • Willoughby, OH 44094
 Phone: (440) 975-9955 • Fax: (440) 975-0505
 Website: www.power-packconveyor.com
 Email: ppcc@power-packconveyor.com



Safety Features: Patented Concealed Bearings,
 Patented Concealed Drive & Tail Rolls,
 Patented Boltless, Bearing Slide Mounts