

SIMPLICITY IN

STANDARD • CUSTOM • MODIFIED CONVEYORS AND SYSTEMS



Standard Horizontal Belt



Custom



Modified



Vertical & Bucket



Components



Build Line

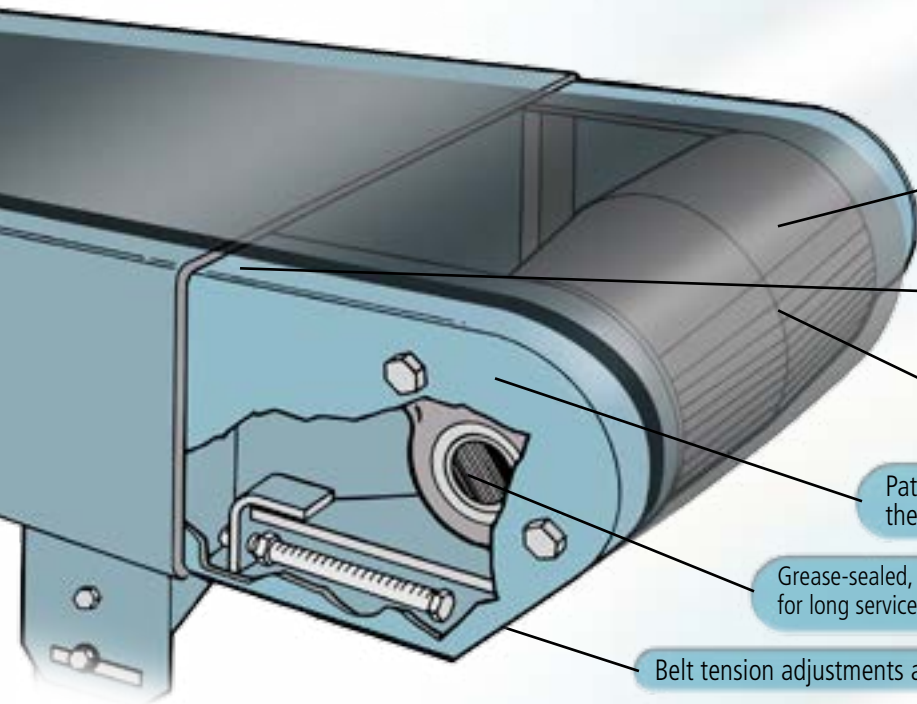


Shipping Systems



Trailer Conveyors

Patented Concealed Drive and Belt Take-Up Pulley Assemblies



Streamlined design with concealed drive and belt take-up pulley eliminates hazardous pinch points for operator safety.

Rugged formed and welded steel construction prevents flexing and twisting.

Crowned drive and take-up pulleys provide accurate belt alignment for maximum belt life.

Patented slide-in design eliminates the need for mounting bolts.

Grease-sealed, self-aligning internal bearings for long service life.

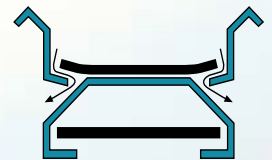
Belt tension adjustments are quick and easy to make.

Construction

- Mild steel
- Stainless steel
- Structural steel

Self-Cleaning Body

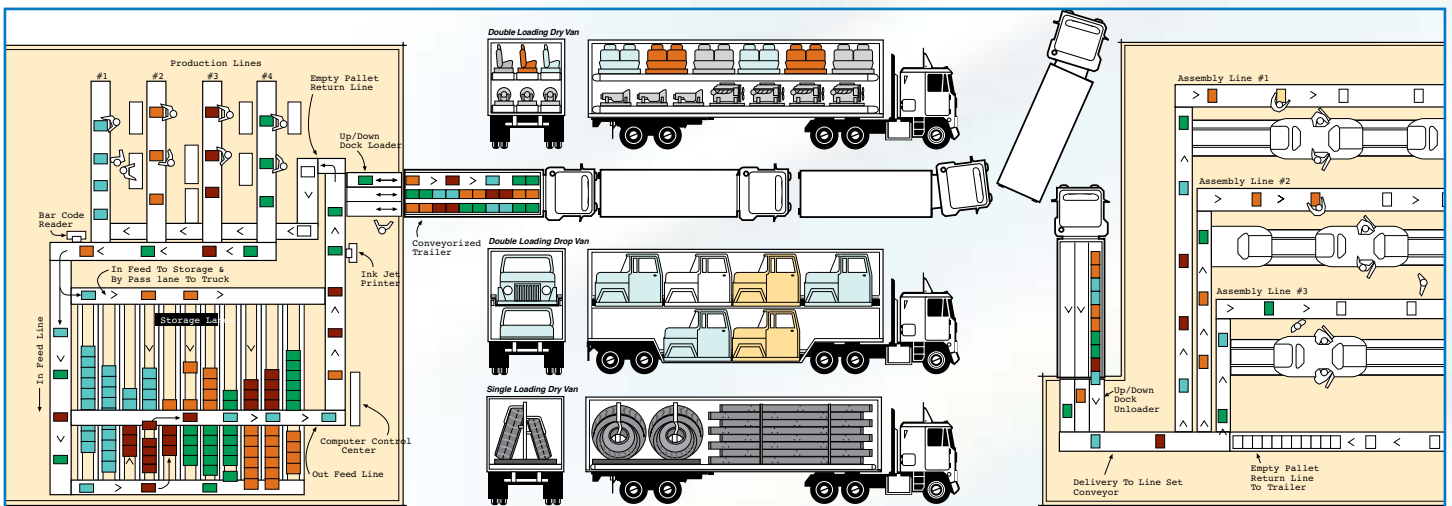
This self-cleaning body eliminates belt jamming caused by conveying small parts or bulk material. Should a part or material work its way under the belt, it falls freely away.



Configurations



Integrated Turn-Key Systems



Component Manufacturing Plant

Transporting

Product Assembly Plant

From Bottle Caps to 10,000 Lbs. Steel Coils



Troughing Idler



Belt-Driven Live Roller



Chain-Driven Live Roller



Steel Hinged Belt



Cleated Incline



Table Top



Positive "V" Tracking



Wire Mesh Belt (Flat or Woven)



Flanged

Power-Pack Conveyors and Systems



Rotators



Transfers (Chain or V-Belt)



Corrugated Belt



Stacker – Destacker



Magnetic / Metal Detector



Drag Chain



Single or Multi Strand Chain



Plastic Belt



Die – Low Profile – SlimLine

Quality Built – Since 1929



Indexing and Continuous Flow Slat



Telescoping



Gravity



Curves (Belt or CDLR)



Wash / Coating System



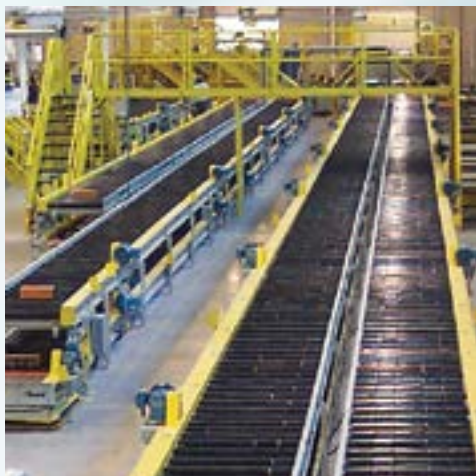
Inspect & Sort



Vertical Bottle Cap Sorter



Parts Sorter & Escapement



Automotive System



Turn-key System

Models

- Horizontal Slider Bed
- Horizontal Flanged Belt
- Horizontal "V" Tracking
- Incline
- Cleated Incline
- Cleated Incline with Nose-Over
- Gravity
- Horizontal Belt-Over Roller
- Belt-Driven Live Roller
- Zero Pressure
- Chain-Driven Live Roller
- Skewed Chain-Driven Live Roller
- Wire Mesh (Flat or Woven)
- Floor-to-Floor
- Table Top
- Die – Low Profile – SlimLine
- Steel Hinge Belt
- Self-Cleaning
- Flanged Trough
- Corrugated
- Troughing Idler
- Magnetic
- Drag Chain
- Roller Chain
- Slat
- Bucket
- Curves (Belt or CDLR)
- Wash/Coating
- Roller Flight
- Stacker/Destacker
- Rotators
- Transfers (Chain or V-Belt)

www.power-packconveyor.com

Design • Engineer • MANUFACTURE • Install • Service



 **POWER-PACK®**
CONVEYOR COMPANY
Automating Industry, since 1929

38363 Airport Parkway • Willoughby, OH 44094
Phone: 440-975-9955 • Fax: 440-975-0505
Email: ppcc@power-packconveyor.com
www.power-packconveyor.com

