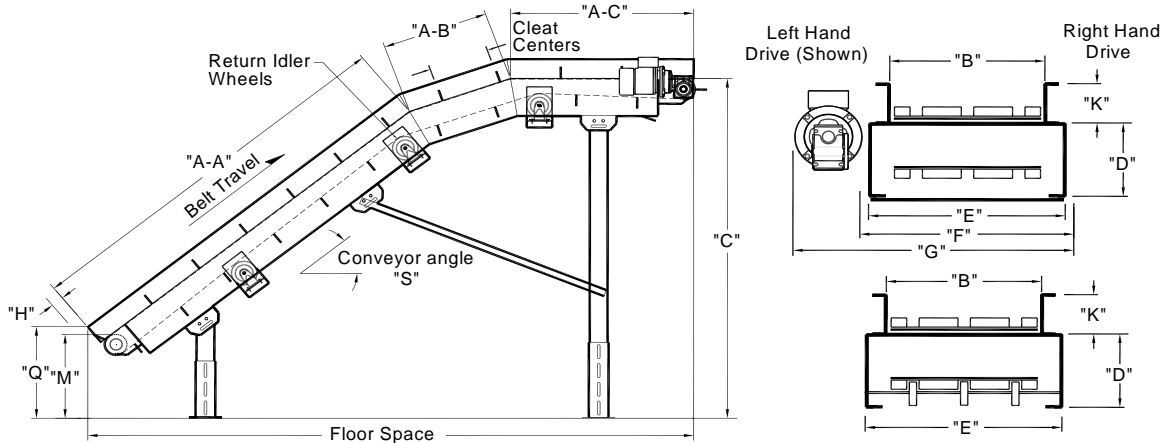




POWER-PACK®
CONVEYOR COMPANY
Automating Industry, since 1929

Incline Nose-Over Belt Wheel Idler Conveyors

EJW4W Light - EJW6W Medium - EJW8W Heavy Duty



POWER-PACK® Standard Conveyors - built the way you want them...

Field Info Required	Data	Field Info Required	Data
A-A. Conveyor Length, Bottom Section		Total Load On Conveyor	
A-B. Conveyor Length, Mid Section		Belt Speed In Fpm	
A-C. Conveyor Length, Top Section		Power: Volts, Phase, Hz	
B. Belt Width		M. Top of Belt @ Bottom	
C. Height T.O.B.(Top of Belt)		S. Conveyor Angle	
Product Being Carried:			
Adverse Condition If Any:			
Power-Pack will size for application			

	Dimensions	Belt Width +	Light	Medium	Heavy
D.	Body Height		8.125"	10.125"	12.25"
E.	Body Width O. A.	Belt +	4.25"	4.25"	5.25"
F.	Tail End Width O. A.	Belt +	4.5"	6.25"	9.25"
G.	Drive End Width O. A.	Belt +	13.5"	15.25"	18.25"
H.	Belt Tension Take-Up Adjustment		2.5"	5"	11"
Q.	Load Height (Top of Flapper)	M. +	5"	5"	5"
	Idler Wheel Diam.:		6"	6"	10"
	Drive & Tail Pulley: Crowned		4.5"	6.625"	8.625"

Standard Features			
Body Construction : Mild Steel		Bed Type : Slider	
Belt Type : PVC		Belt Lacers: Clipper Lacer	
Motor-Reducer Style : TEFC-Shaft Mounted		Return Idlers: Greased Packed Bearings	
Motor Location : Left Side		Leg Support: Tri-Lock H style	
Bearings : Greased Sealed, Self Aligning			
K. Sides : 4" Formed Channel			

See options section for additional features

Power-Pack® Conveyor Company
 38363 Airport Parkway • Willoughby, OH 44094
 Phone: (440) 975-9955 • Fax: (440) 975-0505
 Website: www.power-packconveyor.com
 Email: ppcc@power-packconveyor.com



Safety Features: Patented Concealed Bearings,
 Patented Concealed Drive & Tail Rolls,
 Patented Boltless, Bearing Slide Mounts