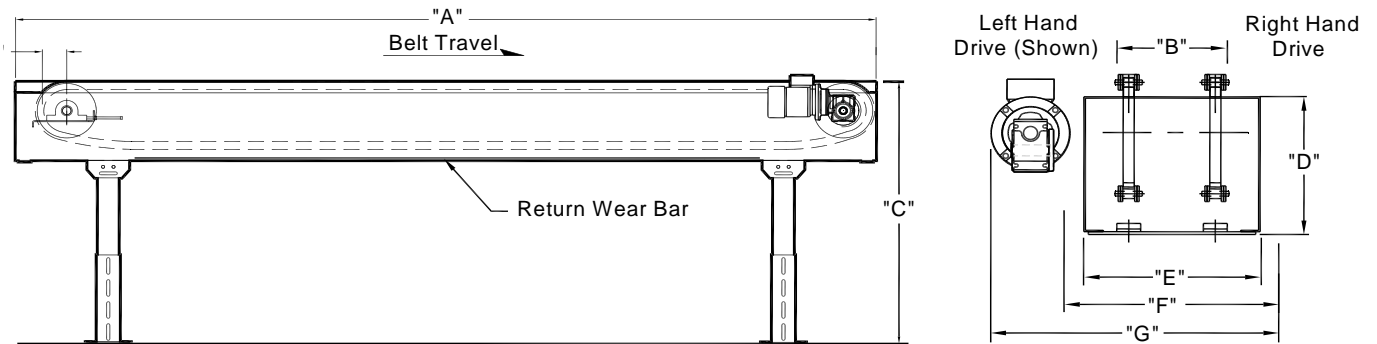


Dual Strand Horizontal Chain Conveyors

OHD4W Light - OHD6W Medium - OHD8W Heavy Duty



POWER-PACK® Standard Conveyors - built the way you want them...

Field Info Required	Data	Field Info Required	Data
A. Conveyor Length O.A.		Total Load On Conveyor	
B. Steel Slat Width		Belt Speed In Fpm	
C. Height T. O. B. (Top of Belt)		Power: Volts, Phase, Hz	
Product Being Carried:			
Adverse Condition If Any:			
Power-Pack will size for application			

Dimensions		Slat Width +	Light	Medium	Heavy
D.	Body Height		7.875"	9.875"	11.875"
E.	Body Width O. A.	Slat +	2.875"	2.875"	2.875"
F.	Tail End Width O. A.	Slat +	7.125"	7.125"	7.125"
G.	Drive End Width O. A.	Slat +	16.125"	16.125"	16.125"
H.	Belt Tension Take-Up Adjustment		2.5"	5"	11"
	Chain Pitch		40/50 Pitch	60 Pitch	80 Pitch
	Drive & Tail Sprockets Diam.		4"	6"	8"

Standard Features			
Body Construction: Mild Steel		Bed Type: Conveyor Chain	
Belt Type: Conveyor Chain	K.	Sides: Flaired	
Motor-Reducer Style: TEFC-Shaft Mounted		Return Idlers: Greased Packed Bearings	
Motor Location: Left Side		Leg Support: Tri-Lock H style	
Bearings: Greased Sealed, Self Aligning		Return Rail: Steel	
See options section for additional features			

Power-Pack® Conveyor Company
 38363 Airport Parkway • Willoughby, OH 44094
 Phone: (440) 975-9955 • Fax: (440) 975-0505
 Website: www.power-packconveyor.com
 Email: ppcc@power-packconveyor.com



Safety Features: Patented Concealed Bearings,
 Patented Concealed Drive & Tail Rolls,
 Patented Boltless, Bearing Slide Mounts