

POWER-PACK® Standard Conveyors - built the way you want them...

Field Info Required	Data	Field Info Required	Data
A. Conveyor Length O.A.		Total Load On Conveyor	
B. Belt Width		Belt Speed In Fpm	
C. Height T.O.B. (Top of Belt)		Power: Volts, Phase, Hz	
B-B. Belt Opening		S. Conveyor Angle	
M. Top of Belt @ Bottom			
Product Being Carried:			
Adverse Condition If Any:			

Power-Pack will size for application

	Dimensions	Belt Width +	Light	Medium	Heavy
D.	Body Height		8.125"	10.125"	12.25"
E.	Body Width O. A.	Belt +	4.25"	4.25"	5.25"
F.	Tail End Width O. A.	Belt +	4.5"	6.25"	9.25"
G.	Drive End Width O. A.	Belt +	13.5"	15.25"	18.25"
H.	Belt Tension Take-Up Adjustment		2.5"	5"	11"
Q.	Load Height	M. +	5"	5"	5"
	Drive & Tail Pulley: Crowned		4.5"	6.625"	8.625"
V.	Sidewall Height		2"	2"	3"

Standard Features

Body Construction : Mild Steel	Bed Type : Slider
Belt Type : PVC	Belt Lacers: Clipper Lacer
Motor-Reducer Style : TEFC-Shaft Mounted	Return Idlers: Greased Packed Bearings
Motor Location : Left Side	Leg Support: Tri-Lock H style
Bearings : Greased Sealed, Self Aligning	Cleats: PVC 1-1/2" High on 12" Centers

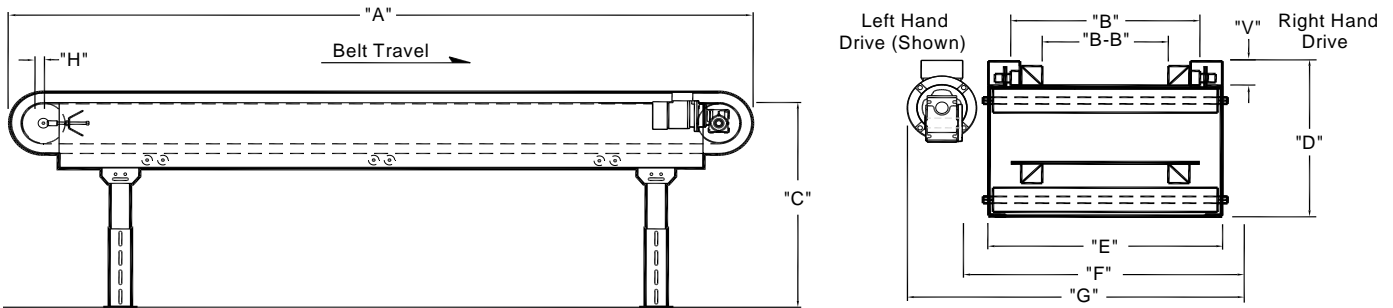
See options section for additional features

Power-Pack® Conveyor Company
 38363 Airport Parkway • Willoughby, OH 44094
 Phone: (440) 975-9955 • Fax: (440) 975-0505
 Website: www.power-packconveyor.com
 Email: ppcc@power-packconveyor.com



Safety Features: Patented Concealed Bearings,
 Patented Concealed Drive & Tail Rolls,
 Patented Boltless, Bearing Slide Mounts

XH4W Light - XH6W Medium - XH8W Heavy Duty



POWER-PACK® Standard Conveyors - built the way you want them...

Field Info Required	Data	Field Info Required	Data
A. Conveyor Length O.A.		Total Load On Conveyor	
B. Belt Width		Belt Speed In Fpm	
B-B. Belt Opening		Power: Volts, Phase, Hz	
C. Height T.O.B. (Top of Belt)			
Product Being Carried:			
Adverse Condition If Any:			
Power-Pack will size for application			

Dimensions		Belt Width +	Light	Medium	Heavy
D.	Body Height		9.75"	11.75"	13.75"
E.	Body Width O.A.	Belt +	4.25"	4.25"	5.25"
F.	Tail End Width O.A.	Belt +	4.5"	6.25"	9.25"
G.	Drive End Width O.A.	Belt +	13.5"	15.25"	18.25"
H.	Belt Tension Take Up Adjustment		2.5"	5"	11"
	Drive & Tail Pulley: Crowned		4.5"	6.625"	8.625"
V.	Sidewall Height		2"	2"	3"

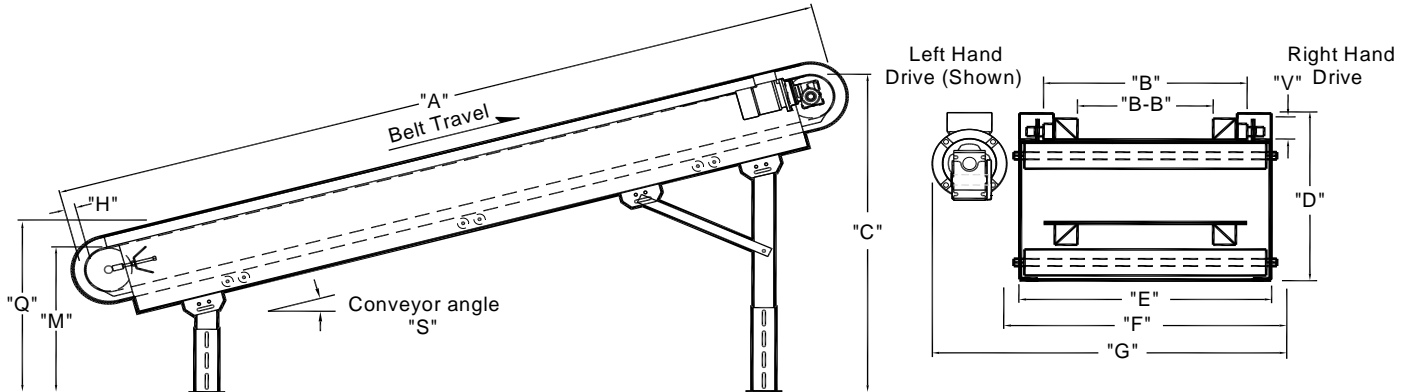
Standard Features			
Body Construction : Mild Steel		Bed : Slider	
Belt Type : PVC		Belt Lacers: Clipper Lacer	
Motor-Reducer Style : TEFC-Shaft Mounted		Return Idlers: Greased Packed Bearings	
Motor Location : Left Side		Leg Support: Tri-Lock H style	
Bearings : Greased Sealed, Self Aligning			
See options section for additional features			

Power-Pack® Conveyor Company
 38363 Airport Parkway • Willoughby, OH 44094
 Phone: (440) 975-9955 • Fax: (440) 975-0505
 Website: www.power-packconveyor.com
 Email: ppcc@power-packconveyor.com



Safety Features: Patented Concealed Bearings,
 Patented Concealed Drive & Tail Rolls,
 Patented Boltless, Bearing Slide Mounts

XE4W Light - XE6W Medium - XE8W Heavy Duty



POWER-PACK® Standard Conveyors - built the way you want them...

Field Info Required	Data	Field Info Required	Data
A. Conveyor Length O.A.		Total Load On Conveyor	
B. Belt Width		Belt Speed In Fpm	
C. Height T.O.B. (Top of Belt)		Power: Volts, Phase, Hz	
B-B. Belt Opening		M. Top of Belt @ Bottom	
Q. Discharge Height		S. Conveyor Angle	
Product Being Carried:			
Adverse Condition If Any:			
Power-Pack will size for application			

	Dimensions	Belt Width +	Light	Medium	Heavy
D.	Body Height		6.125"	8.125"	10.125"
E.	Body Width O.A.	Belt +	4.25"	4.25"	4.375"
F.	Tail End Width O.A.	Belt +	4.5"	6.25"	9.25"
G.	Drive End Width O.A.	Belt +	13.5"	15.25"	18.25"
H.	Belt Tension Take-Up Adjustment		2.5"	5"	11"
Q.	Load Height	M. +	5"	5"	5"
	Drive & Tail Pulley: Crowned		4.5"	6.625"	8.625"
V.	Sidewall Height		2"	2"	3"

Standard Features			
Body Construction: Mild Steel		Bed Type: Slider	
Belt Type: PVC		Belt Lacers: Clipper Lacer	
Motor-Reducer Style: TEFC-Shaft Mounted		Return Idlers: Greased Packed Bearings	
Motor Location: Left Side		Leg Support: Tri-Lock H style	
Bearings: Greased Sealed, Self Aligning			
See options section for additional features			

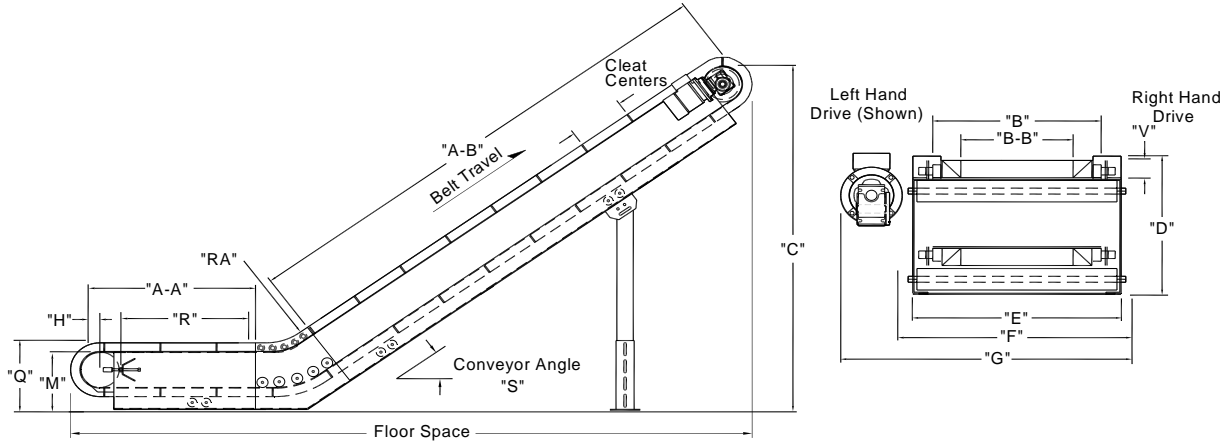
Power-Pack® Conveyor Company
 38363 Airport Parkway • Willoughby, OH 44094
 Phone: (440) 975-9955 • Fax: (440) 975-0505
 Website: www.power-packconveyor.com
 Email: ppcc@power-packconveyor.com



Safety Features: Patented Concealed Bearings,
 Patented Concealed Drive & Tail Rolls,
 Patented Boltless, Bearing Slide Mounts



XL4W Light - XL6W Medium - XL8W Heavy Duty



POWER-PACK® Standard Conveyors - built the way you want them...

Field Info Required	Data	Field Info Required	Data
A-A	Conveyor Length: Lower Section.	A-B	Conveyor Length: Incline Section
B.	Belt Width		Total Load On Conveyor
B-B.	Belt Opening		Belt Speed In Fpm
C.	Height T.O.B. (Top of Belt)		Power: Volts, Phase, Hz
M.	Top of Belt @ Bottom		
R.	Load Section	S.	Conveyor Angle
Product Being Carried:			
Adverse Condition If Any:			

Power-Pack will size for application

Dimensions	Belt Width +	Light	Medium	Heavy
D. Body Height		8.125"	10.125"	12.25"
E. Body Width O. A.	Belt +	4.25"	4.25"	5.25"
F. Tail End Width O. A.	Belt +	4.5"	6.25"	9.25"
G. Drive End Width O. A.	Belt +	13.5"	15.25"	18.25"
H. Belt Tension Take-Up Adjustment		2.5"	5"	11"
RA. Curve Radius Min.		6"	6"	8"
Drive & Tail Pulley: Crowned		4.5"	6.625"	8.625"
V. Sidewall Height		2"	2"	3"

Standard Features

Body Construction: Mild Steel	Bed: Slider
Belt Type: PVC	Belt Lacers: Clipper Lacer
Motor-Reducer Style: TEFC-Shaft Mounted	Return Idlers: Greased Packed Bearings
Motor Location: Left Side	Leg Support: Tri-Lock H style
Bearings: Greased Sealed, Self Aligning	Cleats: PVC 1-1/2" High on 12" Centers

See options section for additional features

Power-Pack® Conveyor Company
 38363 Airport Parkway • Willoughby, OH 44094
 Phone: (440) 975-9955 • Fax: (440) 975-0505
 Website: www.power-packconveyor.com
 Email: ppcc@power-packconveyor.com



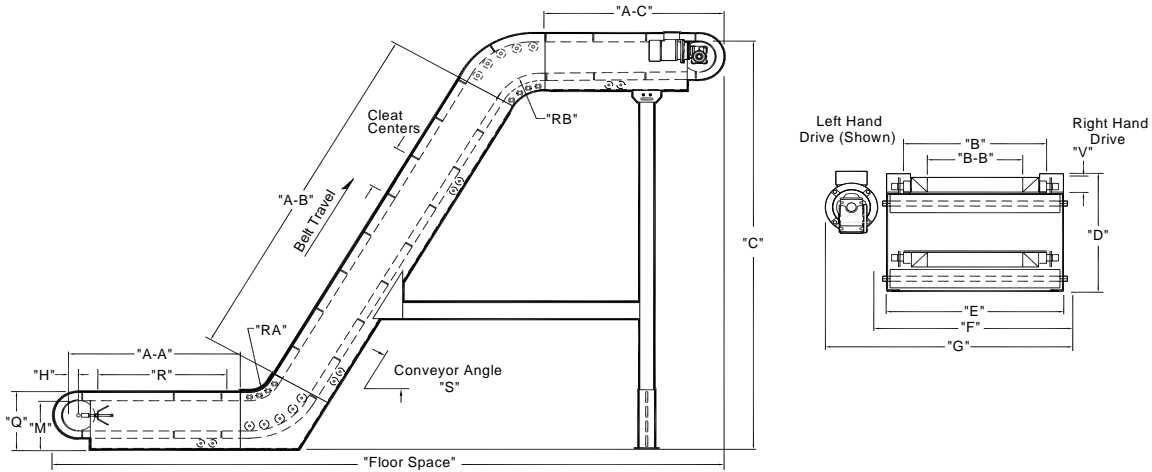
Safety Features: Patented Concealed Bearings,
 Patented Concealed Drive & Tail Rolls,
 Patented Boltless, Bearing Slide Mounts



POWER-PACK®
CONVEYOR COMPANY
Automating Industry, since 1929

Corrugated Belt "Z" Style Conveyors

XZ4W Light - XZ6W Medium - XZ8W Heavy Duty



POWER-PACK® Standard Conveyors - built the way you want them...

Field Info Required	Data	Field Info Required	Data
A-A	Conveyor Length: Lower Section.	A-B	Conveyor Length: Incline Section
A-C	Conveyor Length: Upper Section.		Total Load On Conveyor
B.	Belt Width		Belt Speed In Fpm
C.	Height T.O.B. (Top of Belt)		Power: Volts, Phase, Hz
M	Top of Belt @ Bottom	R.	Load Section
S.	Conveyor Angle		

Product Being Carried:

Adverse Condition If Any:

Power-Pack will size for application

Dimensions		Belt Width +	Light	Medium	Heavy
D.	Body Height		8.125"	10.125"	12.25"
E.	Body Width O. A.	Belt +	4.25"	4.25"	5.25"
F.	Tail End Width O. A.	Belt +	4.5"	6.25"	9.25"
G.	Drive End Width O. A.	Belt +	13.5"	15.25"	18.25"
H.	Belt Tension Take Up Adjustment		2.5"	5"	11"
	Drive & Tail Pulley: Crowned		4.5"	6.625"	8.625"
Q.	Load Height	M.+	2"	2"	2"
RA.	Curve Radius Min.		6"	6"	8"
RB.	Curve Radius Min.		6"	6"	8"
V.	Sidewall Height.		2"	2"	3"

Standard Features

Body Construction: Mild Steel	Bed: Slider
Belt Type: PVC	Belt Lacers: Clipper Lacer
Motor-Reducer Style: TEFC-Shaft Mounted	Return Idlers: Greased Packed Bearings
Motor Location: Left Side	Leg Support: Tri-Lock H style
Bearings: Greased Sealed, Self Aligning	Cleats: PVC 1 1/2" High on 12" Centers

See options section for additional features

Power-Pack® Conveyor Company
 38363 Airport Parkway • Willoughby, OH 44094
 Phone: (440) 975-9955 • Fax: (440) 975-0505
 Website: www.power-packconveyor.com
 Email: ppcc@power-packconveyor.com



Safety Features: Patented Concealed Bearings,
 Patented Concealed Drive & Tail Rolls,
 Patented Boltless, Bearing Slide Mounts