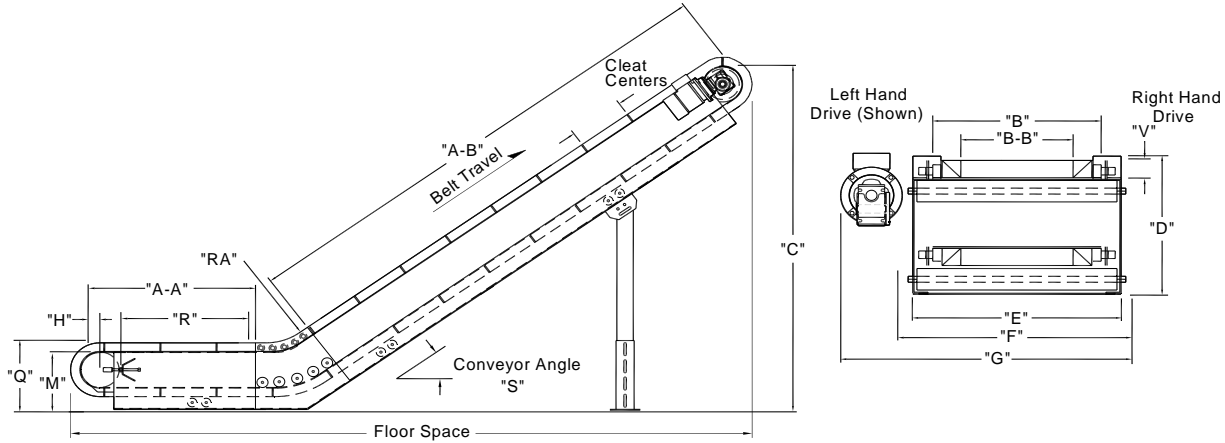




**POWER-PACK®**  
**CONVEYOR COMPANY**  
*Automating Industry, since 1929*

# Corrugated Belt "L" Style Conveyors

**XL4W Light - XL6W Medium - XL8W Heavy Duty**



**POWER-PACK® Standard Conveyors - built the way you want them...**

Field Info Required	Data	Field Info Required	Data
A-A <b>Conveyor Length: Lower Section.</b>		A-B <b>Conveyor Length: Incline Section</b>	
B. <b>Belt Width</b>		<b>Total Load On Conveyor</b>	
B-B. <b>Belt Opening</b>		<b>Belt Speed In Fpm</b>	
C. <b>Height T.O.B. ( Top of Belt )</b>		<b>Power: Volts, Phase, Hz</b>	
M. <b>Top of Belt @ Bottom</b>			
R. <b>Load Section</b>		S. <b>Conveyor Angle</b>	
<b>Product Being Carried:</b>			
<b>Adverse Condition If Any:</b>			

**Power-Pack will size for application**

Dimensions	Belt Width +	Light	Medium	Heavy
D. <b>Body Height</b>		8.125"	10.125"	12.25"
E. <b>Body Width O. A.</b>	Belt +	4.25"	4.25"	5.25"
F. <b>Tail End Width O. A.</b>	Belt +	4.5"	6.25"	9.25"
G. <b>Drive End Width O. A.</b>	Belt +	13.5"	15.25"	18.25"
H. <b>Belt Tension Take-Up Adjustment</b>		2.5"	5"	11"
RA. <b>Curve Radius Min.</b>		6"	6"	8"
<b>Drive &amp; Tail Pulley: Crowned</b>		4.5"	6.625"	8.625"
V. <b>Sidewall Height</b>		2"	2"	3"

**Standard Features**

Body Construction: <b>Mild Steel</b>	Bed: <b>Slider</b>
Belt Type: <b>PVC</b>	Belt Lacers: <b>Clipper Lacer</b>
Motor-Reducer Style: <b>TEFC-Shaft Mounted</b>	Return Idlers: <b>Greased Packed Bearings</b>
Motor Location: <b>Left Side</b>	Leg Support: <b>Tri-Lock H style</b>
Bearings: <b>Greased Sealed, Self Aligning</b>	Cleats: <b>PVC 1-1/2" High on 12" Centers</b>

**See options section for additional features**

**Power-Pack® Conveyor Company**  
 38363 Airport Parkway • Willoughby, OH 44094  
 Phone: (440) 975-9955 • Fax: (440) 975-0505  
 Website: [www.power-packconveyor.com](http://www.power-packconveyor.com)  
 Email: [ppcc@power-packconveyor.com](mailto:ppcc@power-packconveyor.com)



**Safety Features:** Patented Concealed Bearings,  
 Patented Concealed Drive & Tail Rolls,  
 Patented Boltless, Bearing Slide Mounts