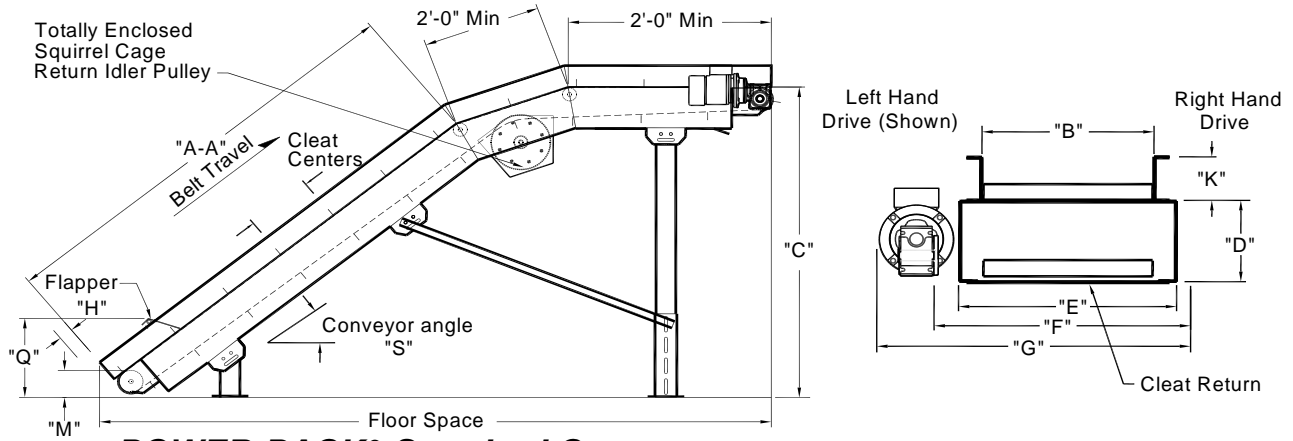




POWER-PACK®
CONVEYOR COMPANY
Automating Industry, since 1929

Cleated Incline Nose-Over Belt Conveyors

KEJ4W Light - KEJ6W Medium - KEJ8W Heavy Duty



POWER-PACK® Standard Conveyors - built the way you want them...

Field Info Required	Data	Field Info Required	Data
A-A. Conveyor Length, Incline Section		Total Load On Conveyor	
B. Belt Width		Belt Speed In Fpm	
C. Height T.O.B.(Top of Belt)		Power: Volts, Phase, Hz	
M. Top of Belt @ Bottom		S. Conveyor Angle	
Product Being Carried:			
Adverse Condition If Any:			
Power-Pack will size for application			

	Dimensions	Belt Width +	Light	Medium	Heavy
D.	Body Height		8"	10"	10.125"
E.	Body Width O. A.	Belt +	4.25"	4.25"	5.25"
F.	Tail End Width O. A.	Belt +	6.25"	6.25"	9.25"
G.	Drive End Width O. A.	Belt +	15.25"	15.25"	18.25"
Q.	Load Height (Top of Flapper)	M. +	5"	5"	5"
H.	Belt Tension Take-Up Adjustment		2.5"	5"	8"
	Drive & Tail Pulley : Crowned		4.5"	6.625"	8.625"

Standard Features			
Body Construction : Mild Steel		Bed Type : Slider	
Belt Type : PVC		Belt Lacers: Clipper Lacer	
Motor-Reducer Style : TEFC-Shaft Mounted		Return Idlers: Greased Packed Bearings	
Motor Location : Left Side		Leg Support: Tri-Lock H style	
Bearings : Greased Sealed, Self Aligning		Cleats: PVC 1-1/2" High on 12" Centers	

See options section for additional features

Power-Pack® Conveyor Company
 38363 Airport Parkway • Willoughby, OH 44094
 Phone: (440) 975-9955 • Fax: (440) 975-0505
 Website: www.power-packconveyor.com
 Email: ppcc@power-packconveyor.com



Safety Features: Patented Concealed Bearings,
 Patented Concealed Drive & Tail Rolls,
 Patented Boltless, Bearing Slide Mounts