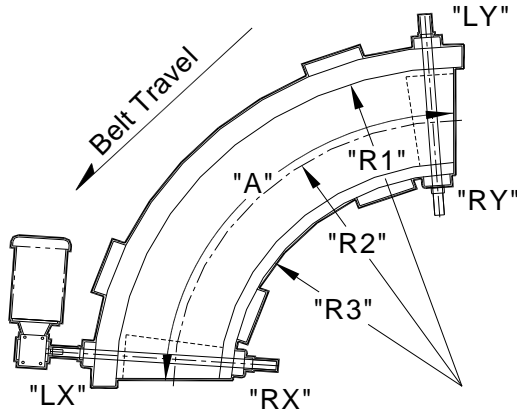


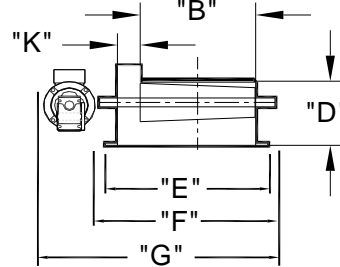


**C Standard Duty**



Left Hand Drive (Shown)

Right Hand Drive



**POWER-PACK® Standard Conveyors - built the way you want them...**

Field Info Required		Data	Field Info Required		Data
A.	Conveyor Arc degrees		Total Load	On Conveyor	
B.	Belt Width		Belt Speed	In Fpm	
K.	Side Width		Power:	Volts, Phase, Hz	
R1	Outside Radius inches		R2	Center Line Radius inches	
R3	Inside Radius inches				
Product Being Carried:					
Adverse Condition If Any:					
<b>Power-Pack will size for application</b>					

Dimensions		Belt Width +	Standard
D.	Body Height		Varies
E.	Body Width O. A.	Belt +	7.5"
F.	Tail End Width O. A.	Belt +	Varies
G.	Drive End Width O. A.	Belt +	Varies
Drive & Tail Pulley: <b>Tapered</b>			

Standard Features			
Body Construction:	Mild Steel	Bed Type:	Slider
Belt Type:	PVC	Belt Lacers:	Endless Finger Splice
Motor-Reducer Style:	TEFC-Shaft Mounted	Return Idlers:	Greased Packed Bearings
LX.	Motor Location: Left Side	Leg Support:	Tri-Lock H style
	Bearings: Greased Sealed, Self Aligning		

See options section for additional features

**Power-Pack® Conveyor Company**  
 38363 Airport Parkway • Willoughby, OH 44094  
 Phone: (440) 975-9955 • Fax: (440) 975-0505  
 Website: [www.power-packconveyor.com](http://www.power-packconveyor.com)  
 Email: [ppcc@power-packconveyor.com](mailto:ppcc@power-packconveyor.com)



**Safety Features:** Patented Concealed Bearings,  
 Patented Concealed Drive & Tail Rolls,  
 Patented Boltless, Bearing Slide Mounts